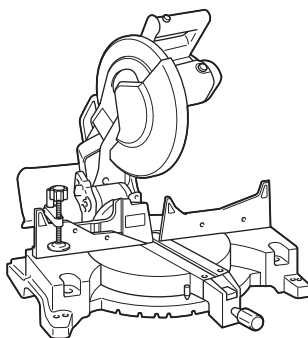


INSTRUCTION MANUAL  
MANUEL D'INSTRUCTION  
MANUAL DE INSTRUCCIONES



# Compound Miter Saw Scie Multi Coupe Sierra de Inglete Mixta

## LS1221



DOUBLE INSULATION  
DOUBLE ISOLATION  
DOBLE AISLAMIENTO

**IMPORTANT:** Read Before Using.

**IMPORTANT :** Lire avant usage.

**IMPORTANTE:** Lea antes de usar.

# SPECIFICATIONS

Model	LS1221
Blade diameter	305 mm (12")
Hole diameter	25.4 mm (1")
Max. kerf thickness of the saw blade	3.2 mm (1/8")
Max. Miter angle	Left 48° , Right 48°
Max. Bevel angle	Left 45°
No load speed (RPM)	4,000 /min
Dimensions (L x W x H)	674 mm x 610 mm x 607 mm (26-1/2" x 24" x 23-7/8")
Net weight	17.3 kg (38.2 lbs)

- Due to our continuing program of research and development, the specifications herein are subject to change without notice.
- Specifications may differ from country to country.
- Weight according to EPTA-Procedure 01/2014

## Max. Cutting capacities (H x W)

Bevel angle	Miter angle	
	0°	45° (left and right)
0°	98 mm x 153 mm (3-7/8" x 6")	98 mm x 107 mm (3-7/8" x 4-1/4")
	63.5 mm x 203 mm (2-1/2" x 8")	63.5 mm x 143 mm (2-1/2" x 5-5/8")
45° (left)	70 mm x 149 mm (2-3/4" x 5-7/8")	44.5 mm x 130 mm (*Left) (1-3/4" x 5-1/8")
	44.5 mm x 200 mm (1-3/4" x 7-7/8")	44.5 mm x 140 mm (*Right) (1-3/4" x 5-1/2")

# SAFETY WARNINGS

## General power tool safety warnings

**⚠ WARNING:** Read all safety warnings, instructions, illustrations and specifications provided with this power tool. Failure to follow all instructions listed below may result in electric shock, fire and/or serious injury.

## Save all warnings and instructions for future reference.

The term "power tool" in the warnings refers to your mains-operated (corded) power tool or BATTERY-operated (cordless) power tool.

### Work area safety

1. **Keep work area clean and well lit.** Cluttered or dark areas invite accidents.
2. **Do not operate power tools in explosive atmospheres, such as in the presence of flammable liquids, gases or dust.** Power tools create sparks which may ignite the dust or fumes.
3. **Keep children and bystanders away while operating a power tool.** Distractions can cause you to lose control.

### Electrical Safety

1. **Power tool plugs must match the outlet. Never modify the plug in any way. Do not use any adapter plugs with earthed (grounded) power tools.** Unmodified plugs and matching outlets will reduce risk of electric shock.
2. **Avoid body contact with earthed or grounded surfaces, such as pipes, radiators, ranges and refrigerators.** There is an increased risk of electric shock if your body is earthed or grounded.
3. **Do not expose power tools to rain or wet conditions.** Water entering a power tool will increase the risk of electric shock.
4. **Do not abuse the cord. Never use the cord for carrying, pulling or unplugging the power tool. Keep cord away from heat, oil, sharp edges or moving parts.** Damaged or entangled cords increase the risk of electric shock.
5. **When operating a power tool outdoors, use an extension cord suitable for outdoor use.** Use of a cord suitable for outdoor use reduces the risk of electric shock.
6. **If operating a power tool in a damp location is unavoidable, use a Residual Current Device (RCD) protected supply.** Use of an RCD reduces the risk of electric shock.

7. **Power tools can produce electromagnetic fields (EMF) that are not harmful to the user.** However, users of pacemakers and other similar medical devices should contact the maker of their device and/or doctor for advice before operating this power tool.
8. **Do not touch the power plug with wet hands.**
9. **If the cord is damaged, have it replaced by the manufacturer or his agent in order to avoid a safety hazard.**
4. **Store idle power tools out of the reach of children and do not allow persons unfamiliar with the power tool or these instructions to operate the power tool.** Power tools are dangerous in the hands of untrained users.
5. **Maintain power tools and accessories. Check for misalignment or binding of moving parts, breakage of parts and any other condition that may affect the power tool's operation. If damaged, have the power tool repaired before use.** Many accidents are caused by poorly maintained power tools.

#### Personal Safety

1. **Stay alert, watch what you are doing and use common sense when operating a power tool. Do not use a power tool while you are tired or under the influence of drugs, alcohol or medication.** A moment of inattention while operating power tools may result in serious personal injury.
2. **Use personal protective equipment. Always wear eye protection.** Protective equipment such as dust mask, non-skid safety shoes, hard hat, or hearing protection used for appropriate conditions will reduce personal injuries.
3. **Prevent unintentional starting. Ensure the switch is in the off-position before connecting to power source and/or BATTERY pack, picking up or carrying the tool.** Carrying power tools with your finger on the switch or energising power tools that have the switch on invites accidents.
4. **Remove any adjusting key or wrench before turning the power tool on.** A wrench or a key left attached to a rotating part of the power tool may result in personal injury.
5. **Do not overreach. Keep proper footing and balance at all times.** This enables better control of the power tool in unexpected situations.
6. **Dress properly. Do not wear loose clothing or jewellery. Keep your hair, clothing and gloves away from moving parts.** Loose clothes, jewellery or long hair can be caught in moving parts.
7. **If devices are provided for the connection of dust extraction and collection facilities, ensure these are connected and properly used.** Use of dust collection can reduce dust-related hazards.
8. **Do not let familiarity gained from frequent use of tools allow you to become complacent and ignore tool safety principles.** A careless action can cause severe injury within a fraction of a second.
9. **Always wear protective goggles to protect your eyes from injury when using power tools. The goggles must comply with ANSI Z87.1 in the USA. It is an employer's responsibility to enforce the use of appropriate safety protective equipments by the tool operators and by other persons in the immediate working area.**
6. **Keep cutting tools sharp and clean.** Properly maintained cutting tools with sharp cutting edges are less likely to bind and are easier to control.
7. **Use the power tool, accessories and tool bits etc. in accordance with these instructions, taking into account the working conditions and the work to be performed.** Use of the power tool for operations different from those intended could result in a hazardous situation.
8. **Keep handles and grasping surfaces dry, clean and free from oil and grease.** Slippery handles and grasping surfaces do not allow for safe handling and control of the tool in unexpected situations.
9. **When using the tool, do not wear cloth work gloves which may be entangled.** The entanglement of cloth work gloves in the moving parts may result in personal injury.

#### Service

1. **Have your power tool serviced by a qualified repair person using only identical replacement parts.** This will ensure that the safety of the power tool is maintained.
2. **Follow instruction for lubricating and changing accessories.**

To reduce the risk of electric shock, this equipment has a polarized plug (one blade is wider than the other). This plug will fit in a polarized outlet only one way. If the plug does not fit fully in the outlet, reverse the plug. If it still does not fit, contact a qualified electrician to install the proper outlet. Do not change the plug in any way.

**VOLTAGE WARNING:** Before connecting the tool to a power source (receptacle, outlet, etc.) be sure the voltage supplied is the same as that specified on the nameplate of the tool. A power source with voltage greater than that specified for the tool can result in **SERIOUS INJURY** to the user- as well as damage to the tool. If in doubt, **DO NOT PLUG IN THE TOOL.** Using a power source with voltage less than the nameplate rating is harmful to the motor.

**USE PROPER EXTENSION CORD.** Make sure your extension cord is in good condition. When using an extension cord, be sure to use one heavy enough to carry the current your product will draw. An undersized cord will cause a drop in line voltage resulting in loss of power and overheating. Table 1 shows the correct size to use depending on cord length and nameplate ampere rating. If in doubt, use the next heavier gage. The smaller the gage number, the heavier the cord.

#### Power tool use and care

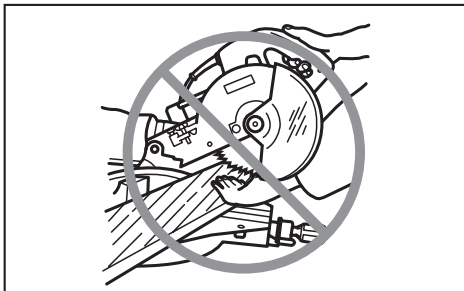
1. **Do not force the power tool. Use the correct power tool for your application.** The correct power tool will do the job better and safer at the rate for which it was designed.
2. **Do not use the power tool if the switch does not turn it on and off.** Any power tool that cannot be controlled with the switch is dangerous and must be repaired.
3. **Disconnect the plug from the power source and/or remove the BATTERY pack, if detachable, from the power tool before making any adjustments, changing accessories, or storing power tools.** Such preventive safety measures reduce the risk of starting the power tool accidentally.

**Table 1: Minimum gage for cord**

Ampere Rating		Volts		Total length of cord in feet			
		120V		25 ft.	50 ft.	100 ft.	150 ft.
		220V - 240V		50 ft.	100 ft.	200 ft.	300 ft.
More Than	Not More Than	AWG					
0 A	6 A	-	18	16	16	14	
6 A	10 A		18	16	14	12	
10 A	12 A		16	16	14	12	
12 A	16 A		14	12	Not Recommended		

## Safety instructions for mitre saws

- Mitre saws are intended to cut wood or wood-like products, they cannot be used with abrasive cut-off wheels for cutting ferrous material such as bars, rods, studs, etc.** Abrasive dust causes moving parts such as the lower guard to jam. Sparks from abrasive cutting will burn the lower guard, the kerf insert and other plastic parts.
- Use clamps to support the workpiece whenever possible. If supporting the workpiece by hand, you must always keep your hand at least 100 mm from either side of the saw blade. Do not use this saw to cut pieces that are too small to be securely clamped or held by hand.** If your hand is placed too close to the saw blade, there is an increased risk of injury from blade contact.
- The workpiece must be stationary and clamped or held against both the fence and the table. Do not feed the workpiece into the blade or cut "freehand" in any way.** Unrestrained or moving workpieces could be thrown at high speeds, causing injury.
- Never cross your hand over the intended line of cutting either in front or behind the saw blade.** Supporting the workpiece "cross handed" i.e. holding the workpiece to the right of the saw blade with your left hand or vice versa is very dangerous.



- Do not reach behind the fence with either hand closer than 100 mm from either side of the saw blade, to remove wood scraps, or for any other reason while the blade is spinning.** The proximity of the spinning saw blade to your hand may not be obvious and you may be seriously injured.
- Inspect your workpiece before cutting. If the workpiece is bowed or warped, clamp it with the outside bowed face toward the fence.**

**Always make certain that there is no gap between the workpiece, fence and table along the line of the cut.** Bent or warped workpieces can twist or shift and may cause binding on the spinning saw blade while cutting. There should be no nails or foreign objects in the workpiece.

- Do not use the saw until the table is clear of all tools, wood scraps, etc., except for the workpiece.** Small debris or loose pieces of wood or other objects that contact the revolving blade can be thrown with high speed.
- Cut only one workpiece at a time.** Stacked multiple workpieces cannot be adequately clamped or braced and may bind on the blade or shift during cutting.
- Ensure the mitre saw is mounted or placed on a level, firm work surface before use.** A level and firm work surface reduces the risk of the mitre saw becoming unstable.
- Plan your work. Every time you change the bevel or mitre angle setting, make sure the adjustable fence is set correctly to support the workpiece and will not interfere with the blade or the guarding system.** Without turning the tool "ON" and with no workpiece on the table, move the saw blade through a complete simulated cut to assure there will be no interference or danger of cutting the fence.
- Provide adequate support such as table extensions, saw horses, etc. for a workpiece that is wider or longer than the table top.** Workpieces longer or wider than the mitre saw table can tip if not securely supported. If the cut-off piece or workpiece tips, it can lift the lower guard or be thrown by the spinning blade.
- Do not use another person as a substitute for a table extension or as additional support.** Unstable support for the workpiece can cause the blade to bind or the workpiece to shift during the cutting operation pulling you and the helper into the spinning blade.
- The cut-off piece must not be jammed or pressed by any means against the spinning saw blade.** If confined, i.e. using length stops, the cut-off piece could get wedged against the blade and thrown violently.
- Always use a clamp or a fixture designed to properly support round material such as rods or tubing.** Rods have a tendency to roll while being cut, causing the blade to "bite" and pull the work with your hand into the blade.
- Let the blade reach full speed before contacting the workpiece.** This will reduce the risk of the workpiece being thrown.

16. If the workpiece or blade becomes jammed, turn the mitre saw off. Wait for all moving parts to stop and disconnect the plug from the power source and/or remove the battery pack. Then work to free the jammed material. Continued sawing with a jammed workpiece could cause loss of control or damage to the mitre saw.
17. After finishing the cut, release the switch, hold the saw head down and wait for the blade to stop before removing the cut-off piece. Reaching with your hand near the coasting blade is dangerous.
18. Hold the handle firmly when making an incomplete cut or when releasing the switch before the saw head is completely in the down position. The braking action of the saw may cause the saw head to be suddenly pulled downward, causing a risk of injury.
19. Only use the saw blade with the diameter that is marked on the tool or specified in the manual. Use of an incorrectly sized blade may affect the proper guarding of the blade or guard operation which could result in serious personal injury.
20. Only use the saw blades that are marked with a speed equal or higher than the speed marked on the tool.
21. Always select the correct saw blade for the material to be cut. Do not use the saw blade to cut materials other than those specified.
22. Do not use the saw to cut other than wood, aluminum or similar materials.
12. Make sure that the turn base is properly secured so it will not move during operation. Use the holes in the base to fasten the saw to a stable work platform or bench. NEVER use tool where operator positioning would be awkward.
13. Make sure the shaft lock is released before the switch is turned on.
14. Be sure that the blade does not contact the turn base in the lowest position.
15. Hold the handle firmly. Be aware that the saw moves up or down slightly during start-up and stopping.
16. Make sure the blade is not contacting the workpiece before the switch is turned on.
17. Before using the tool on an actual workpiece, let it run for a while. Watch for vibration or wobbling that could indicate poor installation or a poorly balanced blade.
18. Stop operation immediately if you notice anything abnormal.
19. Do not attempt to lock the trigger in the "ON" position.
20. Always use accessories recommended in this manual. Use of improper accessories such as abrasive wheels may cause an injury.
21. Some material contains chemicals which may be toxic. Take caution to prevent dust inhalation and skin contact. Follow material supplier safety data.

#### Additional instructions




1. Intended use  
The tool is intended for accurate straight and miter cutting in wood. With appropriate saw blades, aluminum can also be sawed.
2. Make workshop kid proof with padlocks.
3. Never stand on the tool. Serious injury could occur if the tool is tipped or if the cutting tool is unintentionally contacted.
4. Never leave the tool running unattended. Turn the power off. Do not leave tool until it comes to a complete stop.
5. Do not operate saw without guards in place. Check blade guard for proper closing before each use. Do not operate saw if blade guard does not move freely and close instantly. Never clamp or tie the blade guard into the open position.
6. Keep hands out of path of saw blade. Avoid contact with any coasting blade. It can still cause severe injury.
7. Always secure all moving portions before carrying the tool.
8. Stopper pin which locks the cutter head down is for carrying and storage purposes only and not for any cutting operations.
9. Check the blade carefully for cracks or damage before operation. Replace cracked or damaged blade immediately. Gum and wood pitch hardened on blades slows saw and increases potential for kickback. Keep blade clean by first removing it from tool, then cleaning it with gum and pitch remover, hot water or kerosene. Never use gasoline to clean blade.
10. Use only flanges specified for this tool.
11. Be careful not to damage the arbor, flanges (especially the installing surface) or bolt. Damage to these parts could result in blade breakage.

## SAVE THESE INSTRUCTIONS.

**⚠WARNING:** DO NOT let comfort or familiarity with product (gained from repeated use) replace strict adherence to safety rules for the subject product. MISUSE or failure to follow the safety rules stated in this instruction manual may cause serious personal injury.

### Symbols

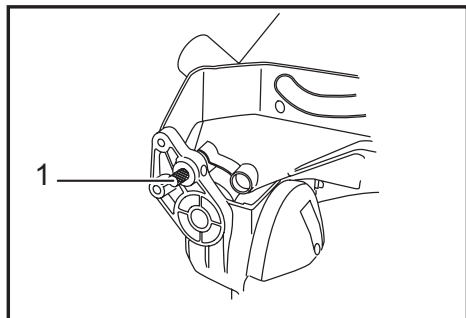
The followings show the symbols used for tool.

V	volts
A	amperes
Hz	hertz
n <sub>0</sub>	no load speed
~	alternating current
	Class II Construction
... /min r /min	revolutions or reciprocation per minute
	Do not place hand or fingers close to the blade.
	To loosen the bolt, turn it clockwise.

# INSTALLATION

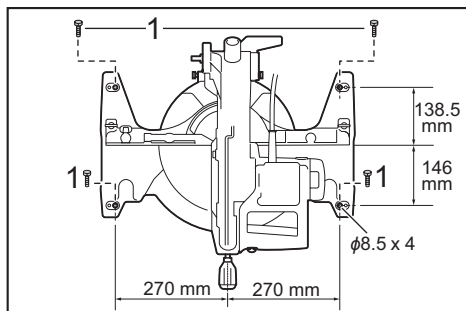
## Bench mounting

When the tool is shipped, the handle is locked in the lowered position by the stopper pin. Release the stopper pin by lowering the handle slightly and pulling the stopper pin.



► 1. Stopper pin

This tool should be bolted with four bolts to a level and stable surface using the bolt holes provided in the tool's base. This will help prevent tipping and possible personal injury.



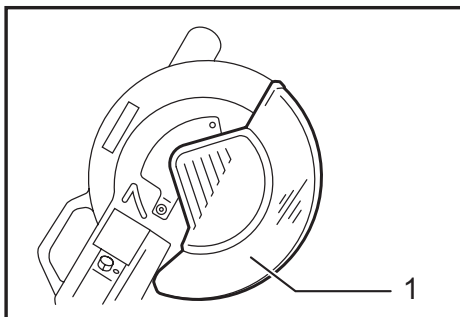
► 1. Bolt

# FUNCTIONAL DESCRIPTION

## ⚠ CAUTION:

- Always be sure that the tool is switched off and unplugged before adjusting or checking function on the tool.

## Blade guard



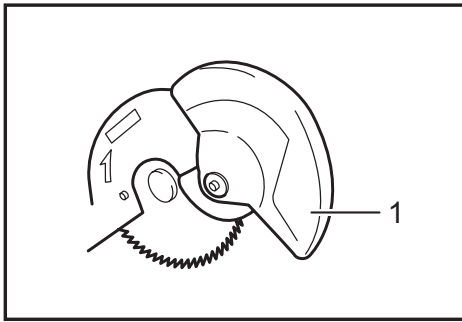
► 1. Blade guard

When lowering the handle, the blade guard rises automatically. The guard is spring loaded so it returns to its original position when the cut is completed and the handle is raised. NEVER DEFEAT OR REMOVE THE BLADE GUARD OR THE SPRING WHICH ATTACHES TO THE GUARD.

In the interest of your personal safety, always maintain the blade guard in good condition. Any irregular operation of the blade guard should be corrected immediately. Check to assure spring loaded return action of guard. NEVER USE THE TOOL IF THE BLADE GUARD OR SPRING ARE DAMAGED, FAULTY OR REMOVED. DOING SO IS HIGHLY DANGEROUS AND CAN CAUSE SERIOUS PERSONAL INJURY.

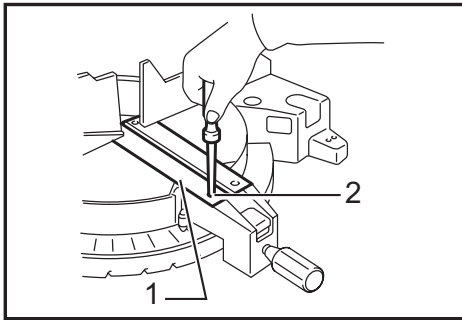
If the see-through blade guard becomes dirty, or sawdust adheres to it in such a way that the blade and/or workpiece is no longer easily visible, unplug the saw and clean the guard carefully with a damp cloth. Do not use solvents or any petroleum-based cleaners on the plastic guard.

If the blade guard is especially dirty and vision through the guard is impaired, use the supplied hex wrench to loosen the hex socket bolt holding the center cover. Loosen the hex socket bolt by turning it counterclockwise and raise the blade guard and center cover. With the blade guard so positioned, cleaning can be more completely and efficiently accomplished. When cleaning is complete, reverse procedure above and secure bolt. Do not remove spring holding blade guard. If guard becomes discolored through age or UV light exposure, contact a Makita service center for a new guard. DO NOT DEFEAT OR REMOVE GUARD.

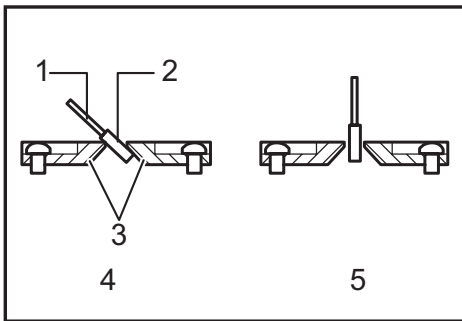


► 1. Blade guard

## Positioning kerf board



► 1. Kerf board 2. Screw



► 1. Saw blade 2. Blade teeth 3. Kerf board 4. Left bevel cut 5. Straight cut

This tool is provided with the kerf boards in the turn base to minimize tearing on the exit side of a cut. The kerf boards are factory adjusted so that the saw blade does not contact the kerf boards. Before use, adjust the kerf boards as follows:

First, unplug the tool. Loosen all the screws (2 each on left and right) securing the kerf boards. Re-tighten them only to the extent that the kerf boards can still be easily moved by hand. Lower the handle fully and push in the stopper pin to lock the handle in the lowered position. Adjust the kerf boards so that the kerf boards just contact the sides of the blade teeth. Tighten all the screws (do not tighten firmly). After adjusting the kerf boards, release the stopper pin and raise the handle. Then tighten all the screws securely.

### ⚠ CAUTION:

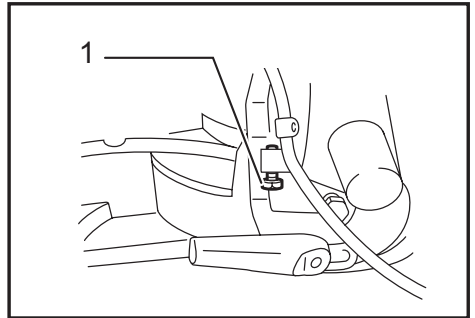
- Before and after changing the bevel angle, always adjust the kerf boards as described above.

## Maintaining maximum cutting capacity

This tool is factory adjusted to provide the maximum cutting capacity for a 305 mm (12") saw blade.

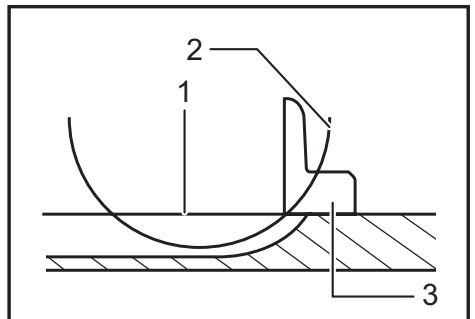
When installing a new blade, always check the lower limit position of the blade and if necessary, adjust it as follows:

First, unplug the tool. Lower the handle completely. Use the hex wrench to turn the adjusting bolt until the periphery of the blade extends slightly below the top surface of the turn base at the point where the front face of the guide fence meets the top surface of the turn base.



► 1. Adjusting bolt

With the tool unplugged, rotate the blade by hand while holding the handle all the way down to be sure that the blade does not contact any part of the lower base. Re-adjust slightly, if necessary.

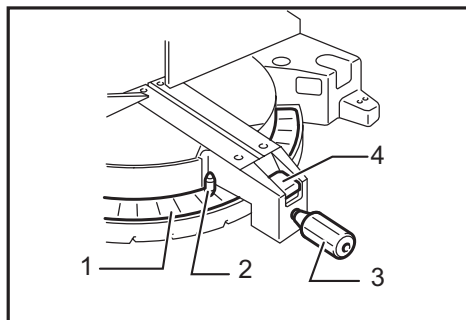


► 1. Top surface of turn base 2. Periphery of blade 3. Guide fence

### ⚠ CAUTION:

- After installing a new blade, always be sure that the blade does not contact any part of the lower base when the handle is lowered completely. Always do this with the tool unplugged.

## Adjusting the miter angle



- 1. Miter scale 2. Pointer 3. Grip 4. Lock lever

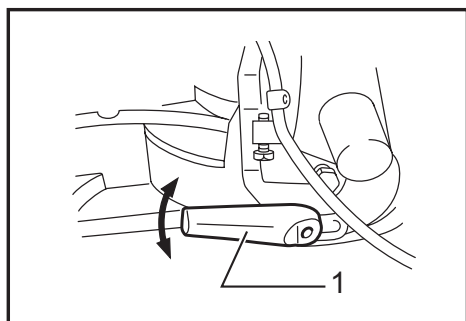
Loosen the grip by turning counterclockwise. Turn the turn base while pressing down the lock lever. When you have moved the grip to the position where the pointer points to the desired angle on the miter scale, securely tighten the grip clockwise.

### CAUTION:

- When turning the turn base, be sure to raise the handle fully.
- After changing the miter angle, always secure the turn base by tightening the grip firmly.

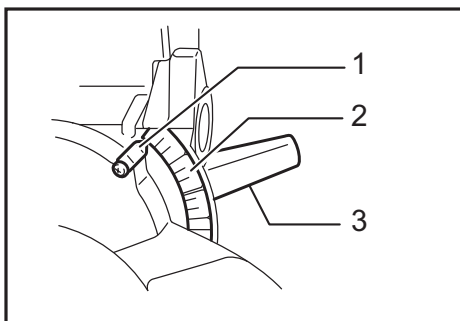
## Adjusting the bevel angle

To adjust the bevel angle, loosen the lever at the rear of the tool counterclockwise.



- 1. Lever

Push the handle to the left to tilt the saw blade until the pointer points to the desired angle on the bevel scale. Then tighten the lever clockwise firmly to secure the arm.



- 1. Pointer 2. Bevel scale 3. Lever

### CAUTION:

- When tilting the saw blade, be sure to raise the handle fully.
- After changing the bevel angle, always secure the arm by tightening the lever clockwise.
- When changing bevel angles, be sure to position the kerf boards appropriately as explained in the "Positioning kerf boards" section.

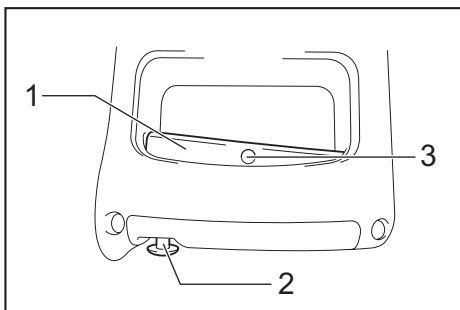
## Switch action

**WARNING:** Before plugging in the tool, always check to see that the switch trigger actuates properly and returns to the "OFF" position when released. Do not pull the switch trigger hard without pressing in the lock-off button. This can cause switch breakage. Operating a tool with a switch that does not actuate properly can lead to loss of control and serious personal injury.

**WARNING:** NEVER use tool without a fully operative switch trigger. Any tool with an inoperative switch is HIGHLY DANGEROUS and must be repaired before further usage or serious personal injury may occur.

**WARNING:** NEVER defeat the lock-off button by taping down or some other means. A switch with a negated lock-off button may result in unintentional operation and serious personal injury.

**WARNING:** NEVER use the tool if it runs when you simply pull the switch trigger without pressing the lock-off button. A switch in need of repair may result in unintentional operation and serious personal injury. Return tool to a Makita service center for proper repairs BEFORE further usage.



- 1. Switch trigger 2. Lock-off button 3. Hole for padlock



To prevent the switch trigger from being accidentally pulled, a lock-off button is provided. To start the tool, press in the lock-off button and pull the switch trigger. Release the switch trigger to stop. A hole is provided in the switch trigger for insertion of a padlock to lock the tool off.

**⚠ WARNING:** Do not use a lock with a shank or cable any smaller than 6.35 mm (1/4") in diameter. A smaller shank or cable may not properly lock the tool in the off position and unintentional operation may occur resulting in serious personal injury.

## Electric brake

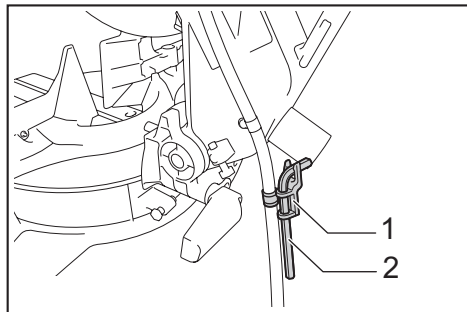
This tool is equipped with an electric blade brake. If the tool consistently fails to quickly stop blade after switch trigger release, have tool serviced at a Makita service center. The blade brake system is not a substitute for blade guard. NEVER USE TOOL WITHOUT A FUNCTIONING BLADE GUARD. SERIOUS PERSONAL INJURY CAN RESULT.

## ASSEMBLY

### ⚠ CAUTION:

- Always be sure that the tool is switched off and unplugged before carrying out any work on the tool.

## Hex wrench storage



- 1. Wrench holder 2. Hex wrench

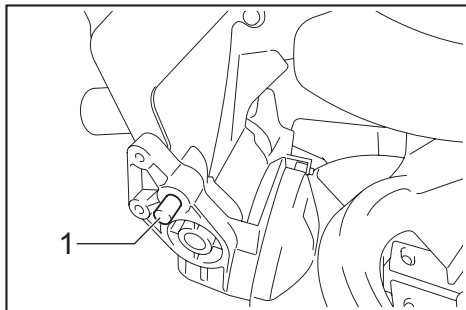
The hex wrench is stored as shown in the figure. When the hex wrench is needed it can be pulled out of the wrench holder. After using the hex wrench it can be stored by returning it to the wrench holder.

## Installing or removing saw blade

### ⚠ CAUTION:

- Always be sure that the tool is switched off and unplugged before installing or removing the blade.
- Use only the Makita hex wrench provided to install or remove the blade. Failure to do so may result in overtightening or insufficient tightening of the hex socket bolt. This could cause an injury.

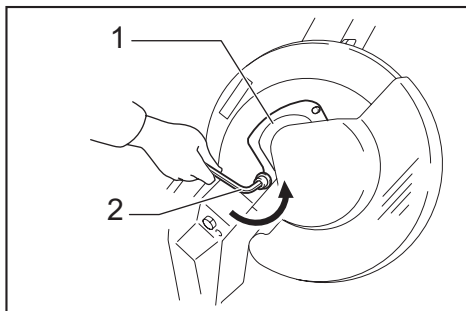
Lock the handle in the raised position by pushing in the stopper pin.



- 1. Stopper pin

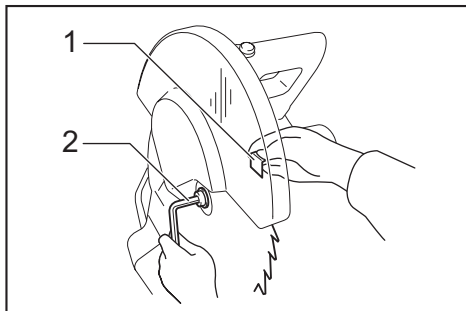
## Removing the blade

To remove the blade, use the hex wrench to loosen the hex socket bolt holding the center cover by turning it counterclockwise. Raise the blade guard and center cover.



- 1. Center cover 2. Hex wrench

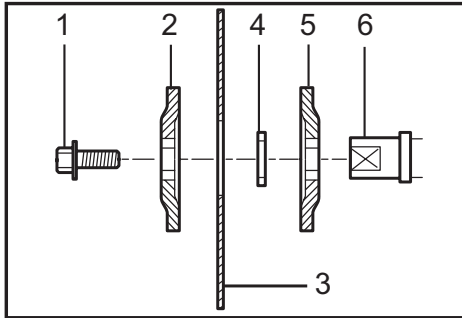
Press the shaft lock to lock the spindle and use the hex wrench to loosen the hex socket bolt clockwise. Then remove the hex socket bolt, outer flange and blade.



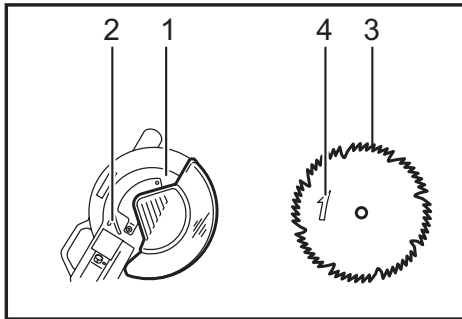
- 1. Shaft lock 2. Hex wrench

## Installing the blade

To install the blade, mount it carefully onto the spindle, making sure that the direction of the arrow on the surface of the blade matches the direction of the arrow on the blade case. Install the outer flange and hex socket bolt, and then use the hex wrench to tighten the hex socket bolt (left-handed) securely counterclockwise while pressing the shaft lock.



► 1. Hex socket bolt 2. Outer flange 3. Saw blade  
4. Ring 5. Inner flange 6. Spindle

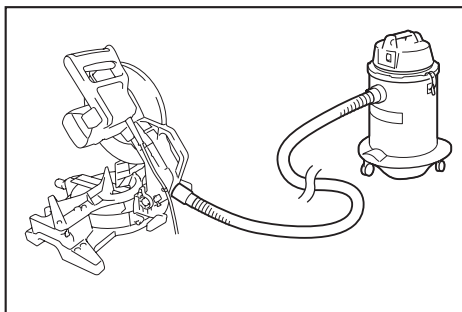


► 1. Blade case 2. Arrow 3. Saw blade 4. Arrow

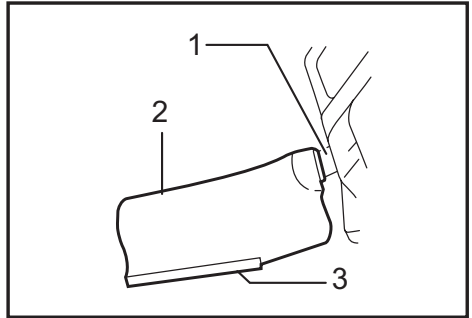
Return the blade guard and center cover to its original position. Then tighten the hex socket bolt clockwise to secure the center cover. Release the handle from the raised position by pulling the stopper pin. Lower the handle to make sure that the blade guard moves properly. Make sure shaft lock has released spindle before making cut.

## Connecting a vacuum cleaner

When you wish to perform clean cutting operation, connect a Makita vacuum cleaner.



## Dust bag



► 1. Dust nozzle 2. Dust bag 3. Fastener

The use of the dust bag makes cutting operations clean and dust collection easy. To attach the dust bag, fit it onto the dust nozzle.

When the dust bag is about half full, remove the dust bag from the tool and pull the fastener out. Empty the dust bag of its contents, tapping it lightly so as to remove particles adhering to the insides which might hamper further collection.

### NOTE:

- If you connect a vacuum cleaner to your saw, more efficient and cleaner operations can be performed.

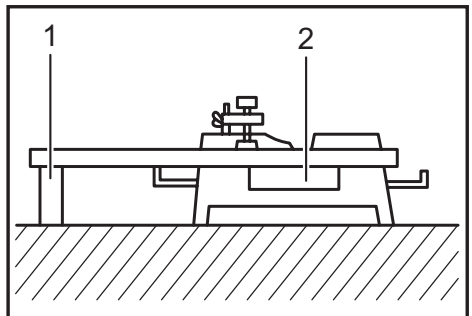
## Securing workpiece

### ⚠WARNING:

- It is extremely important to always secure the workpiece properly and tightly with the vise. Failure to do so can cause the tool to be damaged and/or the workpiece to be destroyed. **PERSONAL INJURY MAY ALSO RESULT.** Also, after a cutting operation, **DO NOT** raise the blade until the blade has come to a complete stop.

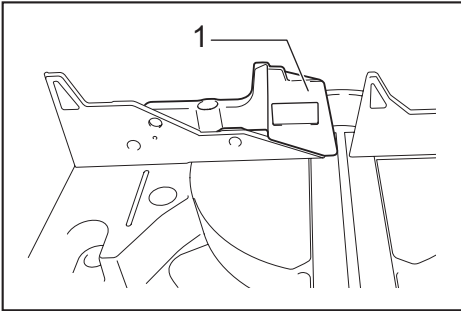
### ⚠CAUTION:

- When cutting long workpieces, use supports that are as high as the top surface level of the turn base. Do not rely solely on the vertical vise and/or horizontal vise to secure the workpiece. Thin material tends to sag. Support workpiece over its entire length to avoid blade pinch and possible KICKBACK.



► 1. Support 2. Turn base

## Sub-fence

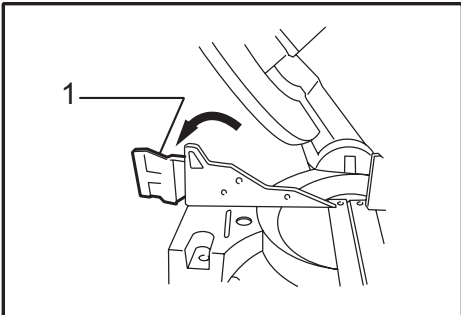


► 1. Sub-fence

This tool is equipped with the sub-fence which should ordinarily be positioned as shown in the figure. However, when performing left bevel cuts, set it to the left position as shown in the figure.

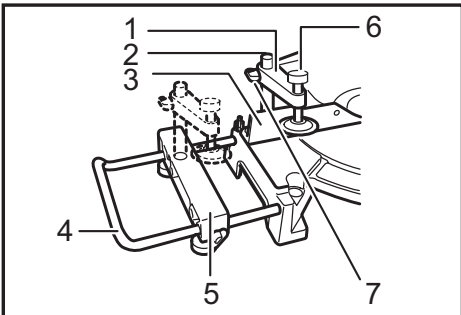
### ⚠ CAUTION:

- When performing left bevel cuts, flip the fence over to the left position as shown in the figure. Otherwise, it will contact the blade or a part of the tool, causing possible serious injury to the operator.



► 1. Sub-fence

## Vertical vise



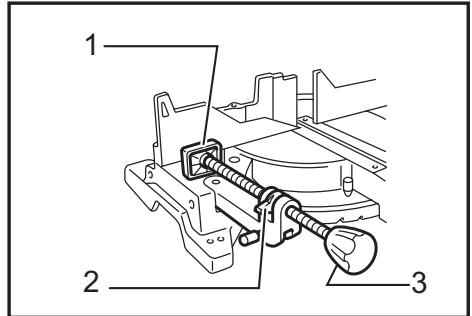
► 1. Vise arm 2. Vise rod 3. Guide fence 4. Holder  
5. Holder assembly 6. Vise knob 7. Screw

The vertical vise can be installed in two positions on either the left or right side of the guide fence or the holder assembly (optional accessory). Insert the vise rod into the hole in the guide fence or the holder assembly and tighten the screw to secure the vise rod. Position the vise arm according to the thickness and shape of the workpiece and secure the vise arm by tightening the screw. If the screw to secure the vise arm contacts the guide fence, install the screw on the opposite side of vise arm. Make sure that no part of the tool contacts the vise when lowering the handle all the way. If some part contacts the vise, re-position the vise. Press the workpiece flat against the guide fence and the turn base. Position the workpiece at the desired cutting position and secure it firmly by tightening the vise knob.

### ⚠ CAUTION:

- The workpiece must be secured firmly against the turn base and guide fence with the vise during all operations.

## Horizontal vise (optional accessory)



► 1. Vise plate 2. Vise nut 3. Vise knob

The horizontal vise can be installed in two positions on either the left or right side of the base. When performing 15° or greater miter cuts, install the horizontal vise on the side opposite the direction in which the turn base is to be turned.

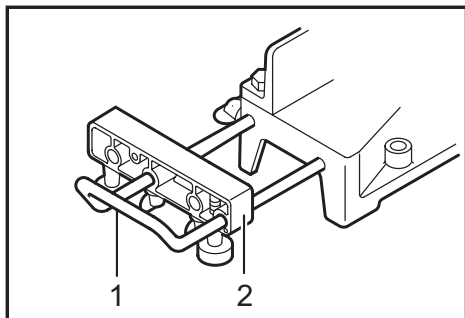
By flipping the vise nut to the left, the vise is released, and rapidly moves in and out. To grip the workpiece, push the vise knob forward until the vise plate contacts the workpiece and flip the vise nut to the right. Then turn the vise knob clockwise to secure the workpiece.

The maximum width of workpiece which can be secured by the horizontal vise is 200 mm (7-7/8").

### ⚠ CAUTION:

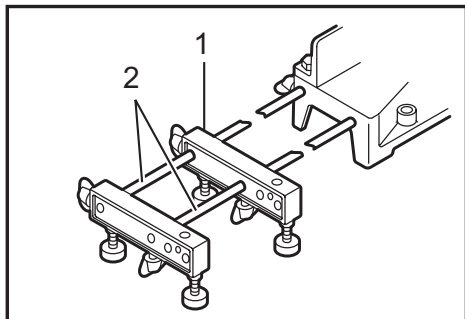
- Always rotate the vise nut to the right fully when securing the workpiece. Failure to do so may result in insufficient securing of the workpiece. This could cause the workpiece to be thrown, cause damage to the blade or cause the loss of control, which can result in PERSONAL INJURY.

## Holders and holder assembly (optional accessories)



► 1. Holder 2. Holder assembly

The holders and the holder assembly can be installed on either side as a convenient means of supporting workpieces horizontally. Install them as shown in the figure. Then tighten the screws firmly to secure the holders and the holder assembly. When cutting long workpieces, use the holder-rod assembly (optional accessory). It consists of two holder assemblies and two rods 12.



► 1. Holder assembly 2. Rod 12

### ⚠ CAUTION:

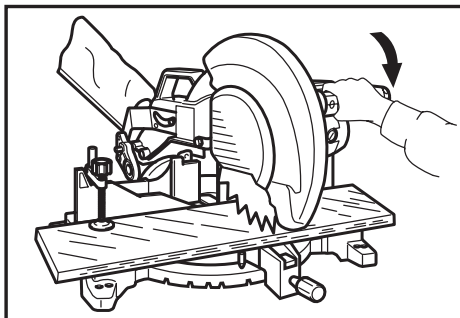
- Always support long workpieces level with the top surface of the turn base for accurate cuts and to prevent dangerous loss of control of the tool.

## OPERATION

### ⚠ CAUTION:

- Before use, be sure to release the handle from the lowered position by pulling the stopper pin.
- Make sure the blade is not contacting the workpiece, etc. before the switch is turned on.
- Do not apply excessive pressure on the handle when cutting. Too much force may result in overload of the motor and/or decreased cutting efficiency. Push down handle with only as much force as is necessary for smooth cutting and without significant decrease in blade speed.
- Gently press down the handle to perform the cut. If the handle is pressed down with force or if lateral force is applied, the blade will vibrate and leave a mark (saw mark) in the workpiece and the precision of the cut will be impaired.

## Press cutting

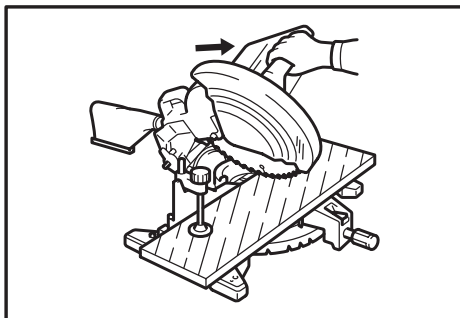


Secure the workpiece with the vise. Switch on the tool without the blade making any contact and wait until the blade attains full speed before lowering. Then gently lower the handle to the fully lowered position to cut the workpiece. When the cut is completed, switch off the tool and **WAIT UNTIL THE BLADE HAS COME TO A COMPLETE STOP** before returning the blade to its fully elevated position.

## Miter cutting

Refer to the previously covered "Adjusting the miter angle".

## Bevel cut



Loosen the lever and tilt the saw blade to set the bevel angle (Refer to the previously covered "Adjusting the bevel angle"). Be sure to retighten the lever firmly to secure the selected bevel angle safely. Secure the workpiece with a vise. Switch on the tool without the blade making any contact and wait until the blade attains full speed. Then gently lower the handle to the fully lowered position while applying pressure in parallel with the blade. When the cut is completed, switch off the tool and **WAIT UNTIL THE BLADE HAS COME TO A COMPLETE STOP** before returning the blade to its fully elevated position.

**CAUTION:**

- Always be sure that the blade will move down to bevel direction during a bevel cut. Keep hands out of path of saw blade.
- During a bevel cut, it may create a condition whereby the piece cut off will come to rest against the side of the blade. If the blade is raised while the blade is still rotating, this piece may be caught by the blade, causing fragments to be scattered which is dangerous. The blade should be raised **ONLY** after the blade has come to a complete stop.
- When pressing the handle down, apply pressure parallel to the blade. If the pressure is not parallel to the blade during a cut, the angle of the blade might be shifted and the precision of the cut will be impaired.
- Always set the sub-fence to the left position when performing left bevel cuts.

**Compound cutting**

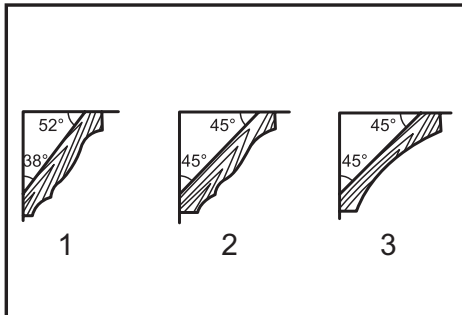
Compound cutting is the process in which a bevel angle is made at the same time in which a miter angle is being cut on a workpiece. Compound cutting can be performed at angle shown in the table.

Bevel angle	Miter angle
45°	Left and Right 0° - 45°

When performing compound cutting, refer to "Press cutting", "Miter cutting" and "Bevel cut" explanations.

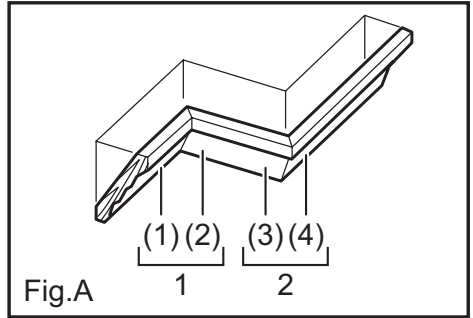
**Cutting crown and cove moldings**

Crown and cove moldings can be cut on a compound miter saw with the moldings laid flat on the turn base. There are two common types of crown moldings and one type of cove moldings; 52/38° wall angle crown molding, 45° wall angle crown molding, 45° wall angle cove molding. See illustrations.

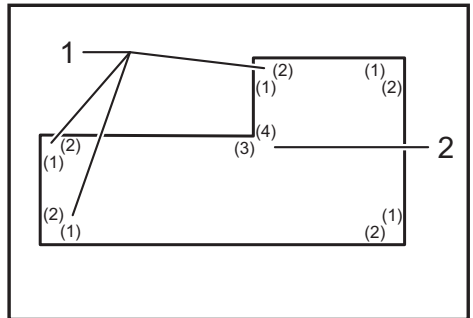


► 1. 52/38° type crown molding 2. 45° type crown molding 3. 45° type cove molding

There are crown and cove molding joints which are made to fit "Inside" 90° corners ((1) and (2) in Fig. A) and "Outside" 90° corners ((3) and (4) in Fig. A).



1. Inside corner 2. Outside corner



► 1. Inside corner 2. Outside corner

**Measuring**

Measure the wall length and adjust workpiece on table to cut wall contact edge to desired length. Always make sure that cut workpiece length **at the back of the workpiece** is the same as wall length. Adjust cut length for angle of cut. Always use several pieces for test cuts to check the saw angles. When cutting crown and cove moldings, set the bevel angle and miter angle as indicated in the table (A) and position the moldings on the top surface of the saw base as indicated in the table (B).

	Molding position in Fig. A	Table (A)		Miter angle	
		Bevel angle		Miter angle	
		52/38° type	45° type	52/38° type	45° type
For inside corner	(1)	Left 33.9°	Left 30°	Right 31.6°	Right 35.3°
	(2)			Left 31.6°	Left 35.3°
For outside corner	(3)			Right 31.6°	Right 35.3°
	(4)				

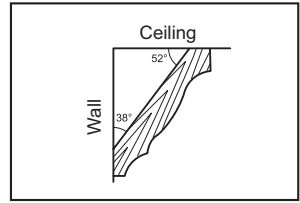
Table (B)

	Molding position in Fig. A	Molding edge against guide fence	Finished piece
For inside corner	(1)	Ceiling contact edge should be against guide fence.	Finished piece will be on the Left side of blade.
	(2)	Wall contact edge should be against guide fence.	
For outside corner	(3)	Wall contact edge should be against guide fence.	Finished piece will be on the Right side of blade.
	(4)	Ceiling contact edge should be against guide fence.	

**EXAMPLE** In the case of cutting 52/38° type crown molding for position (1) in Fig. A:

- Tilt and secure bevel angle setting to 33.9° LEFT.
- Adjust and secure miter angle setting to 31.6° RIGHT.
- Lay crown molding with its broad back (hidden) surface down on the turn base with its CEILING CONTACT EDGE against the guide fence on the saw.
- The finished piece to be used will always be on the LEFT side of the blade after the cut has been made.

## Compound Miter Saw Miter and Bevel Angle Settings



000031

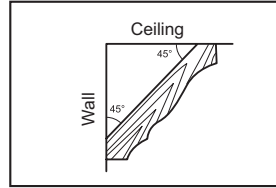
Wall to Crown Molding Angle: 52/38 degrees

Wall Angle (deg.)	Bevel Angle (deg.)	Miter Angle (deg.)
60	43.0	46.8
61	42.8	46.3
62	42.5	45.7
63	42.2	45.1
64	41.9	44.6
65	41.7	44.0
66	41.4	43.5
67	41.1	42.9
68	40.8	42.4
69	40.5	41.9
70	40.2	41.3
71	39.9	40.8
72	39.6	40.3
73	39.3	39.8
74	39.0	39.2
75	38.7	38.7
76	38.4	38.2
77	38.1	37.7
78	37.8	37.2
79	37.4	36.8
80	37.1	36.3
81	36.8	35.8
82	36.5	35.3
83	36.2	34.8
84	35.8	34.4
85	35.5	33.9
86	35.2	33.4
87	34.9	33.0
88	34.5	32.5
89	34.2	32.1
90	33.9	31.6
91	33.5	31.2
92	33.2	30.7
93	32.8	30.3
94	32.5	29.9
95	32.2	29.4
96	31.8	29.0
97	31.5	28.6
98	31.1	28.2
99	30.8	27.7
100	30.4	27.3

Wall Angle (deg.)	Bevel Angle (deg.)	Miter Angle (deg.)
101	30.1	26.9
102	29.7	26.5
103	29.4	26.1
104	29.0	25.7
105	28.7	25.3
106	28.3	24.9
107	28.0	24.5
108	27.6	24.1
109	27.2	23.7
110	26.9	23.3
111	26.5	22.9
112	26.1	22.6
113	25.8	22.2
114	25.4	21.8
115	25.0	21.4
116	24.7	21.0
117	24.3	20.7
118	23.9	20.3
119	23.6	19.9
120	23.2	19.6
121	22.8	19.2
122	22.5	18.8
123	22.1	18.5
124	21.7	18.1
125	21.3	17.8
126	21.0	17.4
127	20.6	17.1
128	20.2	16.7
129	19.8	16.4
130	19.5	16.0
131	19.1	15.7
132	18.7	15.3
133	18.3	15.0
134	17.9	14.6
135	17.6	14.3
136	17.2	14.0
137	16.8	13.6
138	16.4	13.3
139	16.0	13.0
140	15.6	12.8

Wall Angle (deg.)	Bevel Angle (deg.)	Miter Angle (deg.)
141	15.3	12.3
142	14.9	12.0
143	14.5	11.6
144	14.1	11.3
145	13.7	11.0
146	13.3	10.7
147	12.9	10.3
148	12.5	10.0
149	12.2	9.7
150	11.8	9.4
151	11.4	9.0
152	11.0	8.7
153	10.8	8.4
154	10.2	8.1
155	9.8	7.8
156	9.4	7.5
157	9.0	7.1
158	8.6	6.8
159	8.3	6.5
160	7.9	6.2
161	7.5	5.9
162	7.1	5.6
163	6.7	5.3
164	6.3	4.9
165	5.9	4.6
166	5.5	4.3
167	5.1	4.0
168	4.7	3.7
169	4.3	3.4
170	3.9	3.1
171	3.5	2.8
172	3.2	2.5
173	2.8	2.2
174	2.4	1.8
175	2.0	1.5
176	1.6	1.2
177	1.2	0.9
178	0.8	0.6
179	0.4	0.3
180	0.0	0.0

## Compound Miter Saw Miter and Bevel Angle Settings



000032

Wall to Crown Molding Angle: 45 degrees

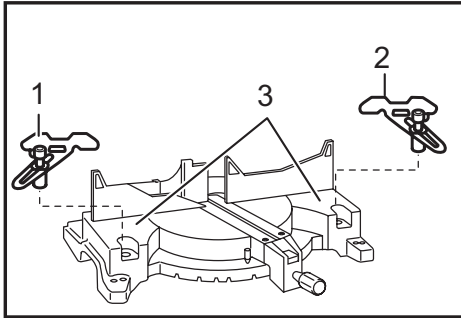
Wall Angle (deg.)	Bevel Angle (deg.)	Miter Angle (deg.)
60	37.8	50.8
61	37.5	50.2
62	37.3	49.6
63	37.1	49.1
64	36.8	48.5
65	36.6	48.0
66	36.4	47.4
67	36.1	46.9
68	35.9	46.4
69	35.6	45.8
70	35.4	45.3
71	35.1	44.8
72	34.9	44.2
73	34.6	43.7
74	34.4	43.2
75	34.1	42.7
76	33.9	42.1
77	33.6	41.6
78	33.3	41.1
79	33.1	40.6
80	32.8	40.1
81	32.5	39.6
82	32.3	39.1
83	32.0	38.6
84	31.7	38.1
85	31.4	37.7
86	31.1	37.2
87	30.9	36.7
88	30.6	36.2
89	30.3	35.7
90	30.0	35.3
91	29.7	34.8
92	29.4	34.3
93	29.1	33.9
94	28.8	33.4
95	28.5	32.9
96	28.2	32.5
97	27.9	32.0
98	27.6	31.6
99	27.3	31.1
100	27.0	30.7

Wall Angle (deg.)	Bevel Angle (deg.)	Miter Angle (deg.)
101	26.7	30.2
102	26.4	29.8
103	26.1	29.4
104	25.8	28.9
105	25.5	28.5
106	25.2	28.1
107	24.9	27.6
108	24.6	27.2
109	24.2	26.8
110	23.9	26.3
111	23.6	25.9
112	23.3	25.5
113	23.0	25.1
114	22.7	24.7
115	22.3	24.3
116	22.0	23.8
117	21.7	23.4
118	21.4	23.0
119	21.0	22.6
120	20.7	22.2
121	20.4	21.8
122	20.0	21.4
123	19.7	21.0
124	19.4	20.6
125	19.1	20.2
126	18.7	19.8
127	18.4	19.4
128	18.1	19.0
129	17.7	18.6
130	17.4	18.2
131	17.1	17.9
132	16.7	17.5
133	16.4	17.1
134	16.0	16.7
135	15.7	16.3
136	15.4	15.9
137	15.0	15.6
138	14.7	15.2
139	14.3	14.8
140	14.0	14.4

Wall Angle (deg.)	Bevel Angle (deg.)	Miter Angle (deg.)
141	13.7	14.1
142	13.3	13.7
143	13.0	13.3
144	12.6	12.9
145	12.3	12.6
146	11.9	12.2
147	11.6	11.8
148	11.2	11.5
149	10.9	11.1
150	10.5	10.7
151	10.2	10.4
152	9.8	10.0
153	9.5	9.6
154	9.2	9.3
155	8.8	8.9
156	8.5	8.5
157	8.1	8.2
158	7.8	7.8
159	7.4	7.5
160	7.1	7.1
161	6.7	6.7
162	6.4	6.4
163	6.0	6.0
164	5.6	5.7
165	5.3	5.3
166	4.9	5.0
167	4.6	4.6
168	4.2	4.3
169	3.9	3.9
170	3.5	3.5
171	3.2	3.2
172	2.8	2.8
173	2.5	2.5
174	2.1	2.1
175	1.8	1.8
176	1.4	1.4
177	1.1	1.1
178	0.7	0.7
179	0.4	0.4
180	0.0	0.0

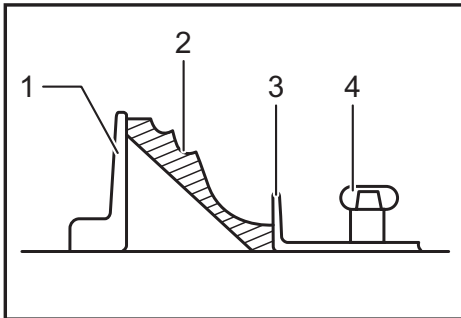


Crown molding stoppers (optional accessories) allow easier cuts of crown molding without tilting the saw blade. Install them on the base as shown in the figures.



- 1. Crown molding stopper L 2. Crown molding stopper R 3. Base

Position crown molding with its WALL CONTACT EDGE against the guide fence and its CEILING CONTACT EDGE against the crown molding stoppers as shown in the figure. Adjust the crown molding stoppers according to the size of the crown molding. Tighten the screws to secure the crown molding stoppers. Refer to the table (C) for the miter angle.

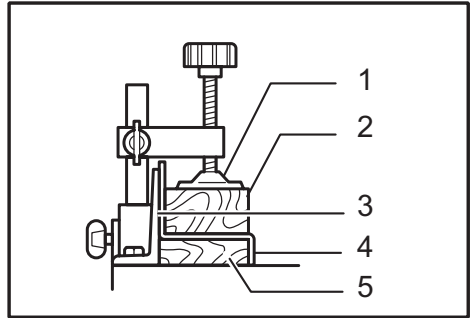


- 1. Guide fence 2. Crown molding 3. Crown molding stopper 4. Screw

Table (C)

	Position in Fig. A	Miter angle	Finished piece
For inside corner	(1)	Right 45°	Save the right side of blade
	(2)	Left 45°	Save the left side of blade
For outside corner	(3)	Left 45°	Save the right side of blade
	(4)	Right 45°	Save the left side of blade

## Cutting aluminum extrusion



- 1. Vise 2. Spacer block 3. Guide fence 4. Aluminum extrusion 5. Spacer block

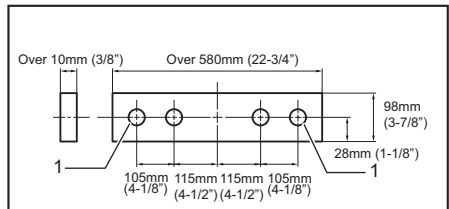
When securing aluminum extrusions, use spacer blocks or pieces of scrap as shown in the figure to prevent deformation of the aluminum. Use a cutting lubricant when cutting the aluminum extrusion to prevent build-up of the aluminum material on the blade.

### CAUTION:

- Never attempt to cut thick or round aluminum extrusions. Thick aluminum extrusions may come loose during operation and round aluminum extrusions cannot be secured firmly with this tool.

## Wood facing

Use of wood facing helps to assure splinter-free cuts in workpieces. Attach a wood facing to the guide fence using the holes in the guide fence. See the figure concerning the dimensions for a suggested wood facing.

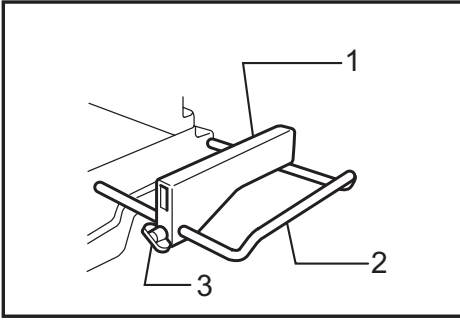


- 1. Hole

### CAUTION:

- Use straight wood of even thickness as the wood facing.
- Use screws to attach the wood facing to the guide fence. The screws should be installed so that the screw heads are below the surface of the wood facing.
- When the wood facing is attached, do not turn the turn base with the handle lowered. The blade and/or the wood facing will be damaged.

## Cutting repetitive lengths



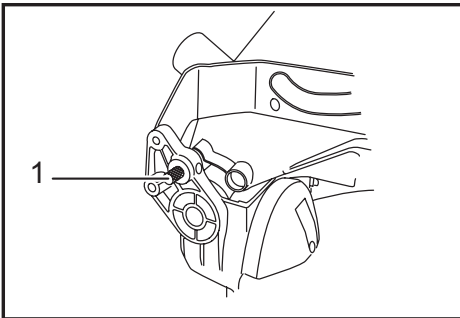
- 1. Set plate 2. Holder 3. Screw

When cutting several pieces of stock to the same length, ranging from 295 mm (11 - 5/8") to 440 mm (17 - 1/4"), use of the set plate (optional accessory) will facilitate more efficient operation. Install the set plate on the holder as shown in the figure. Align the cutting line on your workpiece with either the left or right side of the groove in the kerf board, and while holding the workpiece from moving, move the set plate flush against the end of the workpiece. Then secure the set plate with the screw. When the set plate is not used, loosen the screw and turn the set plate out of the way.

### NOTE:

- Use of the holder-rod assembly (optional accessory) allows cutting repetitive lengths up to 2,200 mm (7.2 ft.) approximately.

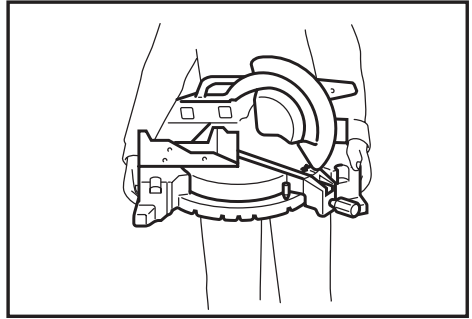
## Carrying tool



- 1. Stopper pin

Make sure that the tool is unplugged. Secure the blade at 0° bevel angle and the turn base at right miter angle fully. Lower the handle fully and lock it in the lowered position by pushing in the stopper pin.

Carry the tool by holding both sides of the tool base as shown in the figure. If you remove the holders, dust bag, etc., you can carry the tool more easily.



### CAUTION:

- Always secure all moving portions before carrying the tool.
- Stopper pin is for carrying and storage purposes only and not for any cutting operations.

## MAINTENANCE

### CAUTION:

- Always be sure that the tool is switched off and unplugged before attempting to perform inspection or maintenance.

### WARNING:

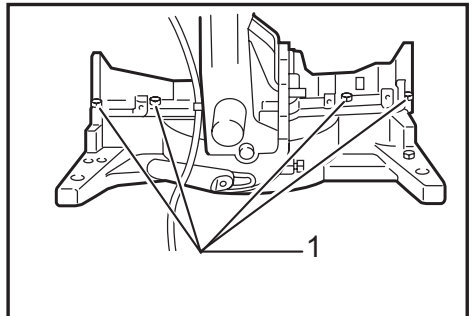
- Always be sure that the blade is sharp and clean for the best and safest performance.

**NOTICE:** Never use gasoline, benzine, thinner, alcohol or the like. Discoloration, deformation or cracks may result.

## Adjusting the cutting angle

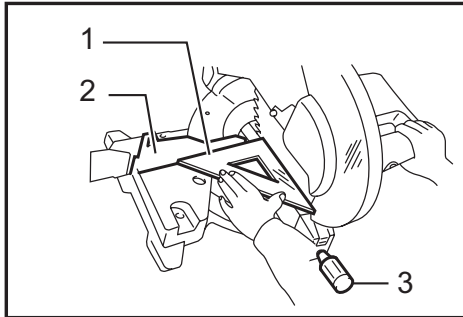
This tool is carefully adjusted and aligned at the factory, but rough handling may have affected the alignment. If your tool is not aligned properly, perform the following:

### Miter angle



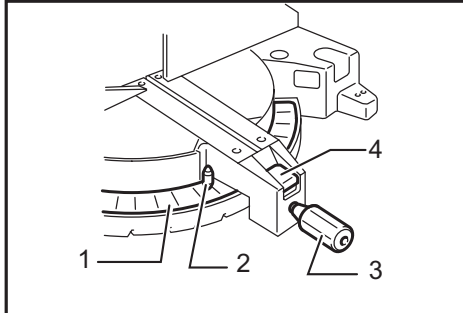
- 1. Hex socket bolt

Loosen the grip which secures the turn base. Turn the turn base so that the pointer points to 0° on the miter scale. Then turn the turn base slightly clockwise and counterclockwise to seat the turn base in the 0° miter notch. (Leave as it is if the pointer does not point to 0°.) Loosen the hex socket bolts securing the guide fence using the hex wrench. Lower the handle fully and lock it in the lowered position by pushing in the stopper pin. Square the side of the blade with the face of the guide fence using a triangular rule, try-square, etc. Then securely tighten the hex socket bolts on the guide fence in the order from the right side.



► 1. Triangular rule 2. Guide fence 3. Grip

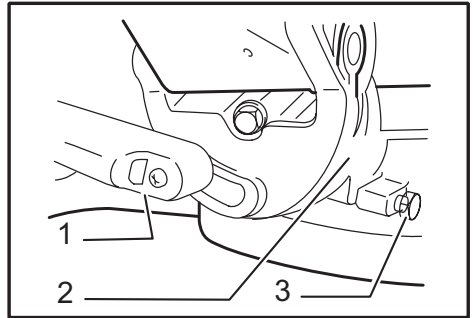
Make sure that the pointer points to 0° on the miter scale. If the pointer does not point to 0°, loosen the screw which secures the pointer and adjust the pointer so that it will point to 0°.



► 1. Miter scale 2. Pointer 3. Grip 4. Lock lever

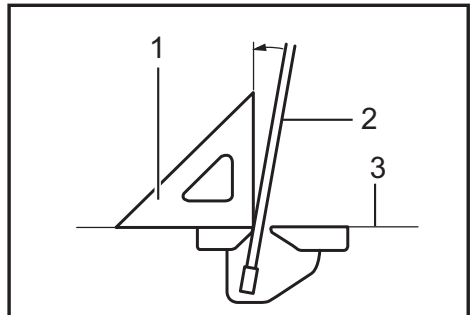
## Bevel angle

### 0° bevel angle



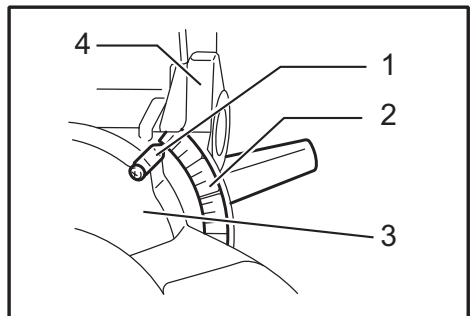
► 1. Lever 2. Turn base 3. 0° bevel angle adjusting bolt

Lower the handle fully and lock it in the lowered position by pushing in the stopper pin. Loosen the lever at the rear of the tool. Turn the 0° bevel angle adjusting bolt on the left side of the turn base two or three revolutions counterclockwise to tilt the blade to the right. Carefully square the side of the blade with the top surface of the turn base using the triangular rule, try-square, etc. by turning the 0° bevel angle adjusting bolt clockwise. Then tighten the lever securely.



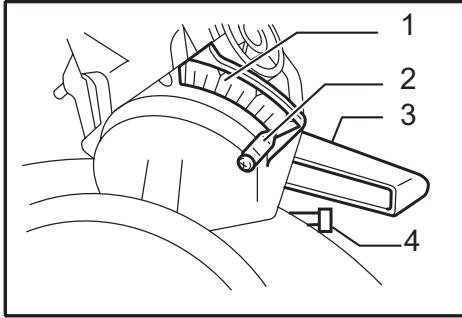
► 1. Triangular rule 2. Saw blade 3. Top surface of turn table

Make sure that the pointer on the turn base point to 0° on the bevel scale on the arm. If it does not point to 0°, loosen the screw which secures the pointer and adjust the pointer so that it will point to 0°.



► 1. Pointer 2. Bevel scale 3. Turn base 4. Arm

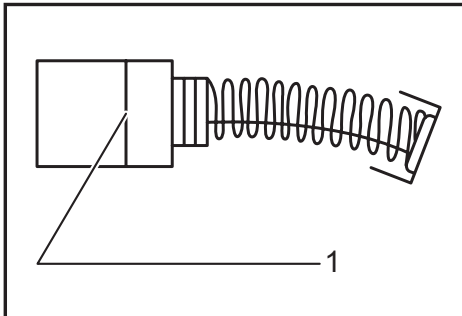
## 45° bevel angle



- 1. Bevel scale 2. Pointer 3. Lever 4. 45° bevel angle adjusting bolt

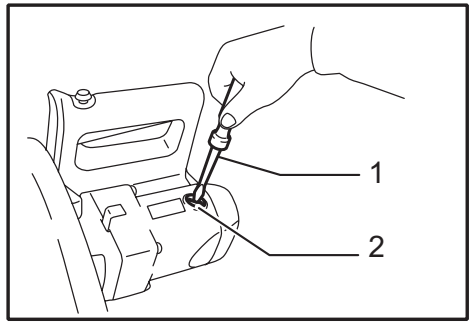
Adjust the 45° bevel angle only after performing 0° bevel angle adjustment. To adjust left 45° bevel angle, loosen the lever and tilt the blade to the left fully. Make sure that the pointer on the turn base points to 45° on the bevel scale on the arm. If the pointer does not point to 45°, turn the 45° bevel angle adjusting bolt on the right side of the arm until the pointer points to 45°.

## Replacing carbon brushes



- 1. Limit mark

Remove and check the carbon brushes regularly. Replace when they wear down to the limit mark. Keep the carbon brushes clean and free to slip in the holders. Both carbon brushes should be replaced at the same time. Use only identical carbon brushes. Use a screwdriver to remove the brush holder caps. Take out the worn carbon brushes, insert the new ones and secure the brush holder caps.



- 1. Screwdriver 2. Brush holder cap

After replacing brushes, plug in the tool and break in brushes by running tool with no load for about 10 minutes. Then check the tool while running and electric brake operation when releasing the switch trigger. If electric brake is not working well, ask your local Makita service center for repair.

## After use

- After use, wipe off chips and dust adhering to the tool with a cloth or the like. Keep the blade guard clean according to the directions in the previously covered section titled "Blade guard". Lubricate the sliding portions with machine oil to prevent rust.

To maintain product SAFETY and RELIABILITY, repairs, any other maintenance or adjustment should be performed by Makita Authorized or Factory Service Centers, always using Makita replacement parts.

## OPTIONAL ACCESSORIES

**⚠WARNING:** These Makita accessories or attachments are recommended for use with your Makita tool specified in this manual. The use of any other accessories or attachments may result in serious personal injury.

**⚠WARNING:** Only use the Makita accessory or attachment for its stated purpose. Misuse of an accessory or attachment may result in serious personal injury.

If you need any assistance for more details regarding these accessories, ask your local Makita Service Center.

- Steel & Carbide-tipped saw blades (Refer to our website or contact your local Makita dealer for the correct saw blades to be used for the material to be cut.)
- Vise assembly (Horizontal vise)
- Vertical vise
- Hex wrench
- Holder set
- Holder assembly
- Holder rod assembly
- Set plate
- Dust bag
- Elbow
- Crown molding stopper set
- Triangular rule

**NOTE:**

- Some items in the list may be included in the tool package as standard accessories. They may differ from country to country.

**MAKITA LIMITED WARRANTY**

Please refer to the annexed warranty sheet for the most current warranty terms applicable to this product. If annexed warranty sheet is not available, refer to the warranty details set forth at below website for your respective country.

United States of America: [www.makitatools.com](http://www.makitatools.com)

Canada: [www.makita.ca](http://www.makita.ca)

Other countries: [www.makita.com](http://www.makita.com)

## SPÉCIFICATIONS

Modèle	LS1221
Diamètre de la lame	305 mm (12")
Diamètre de l'orifice	25,4 mm (1")
Épaisseur max. de découpe de la lame de scie	3,2 mm (1/8")
Angle d'onglet max.	Gauche 48° , Droite 48°
Angle de biseau max.	Gauche 45°
Vitesse à vide (T/MIN)	4 000 /min
Dimensions (L x L x H)	674 mm x 610 mm x 607 mm (26-1/2" x 24" x 23-7/8")
Poids net	17,3 kg (38,2 lbs)

- Étant donné l'évolution constante de notre programme de recherche et de développement, les spécifications contenues dans ce manuel sont sujettes à modification sans préavis.
- Les spécifications peuvent varier suivant les pays.
- Poids selon la procédure EPTA 01/2014

### Capacités de coupe maximales (Hauteur x Largeur)

Angle de coupe en biseau	Angle de coupe d'onglet	
	0°	45° (gauche et droite)
0°	98 mm x 153 mm (3-7/8" x 6")	98 mm x 107 mm (3-7/8" x 4-1/4")
	63,5 mm x 203 mm (2-1/2" x 8")	63,5 mm x 143 mm (2-1/2" x 5-5/8")
45° (Gauche)	70 mm x 149 mm (2-3/4" x 5-7/8")	44,5 mm x 130 mm (*Gauche) (1-3/4" x 5-1/8")
	44,5 mm x 200 mm (1-3/4" x 7-7/8")	44,5 mm x 140 mm (*Droite) (1-3/4" x 5-1/2")

## CONSIGNES DE SÉCURITÉ

### Consignes de sécurité générales pour outils électriques

**⚠ MISE EN GARDE :** Veuillez lire toutes les mises en garde, instructions, illustrations et spécifications qui accompagnent cet outil électrique. Ne pas suivre toutes les instructions de la liste ci-dessous peut entraîner une décharge électrique, un incendie et/ou une grave blessure.

### Conservez toutes les mises en garde et instructions pour référence future.

Le terme « outil électrique » qui figure dans les avertissements fait référence à un outil électrique branché sur une prise de courant (par un cordon d'alimentation) ou alimenté par batterie (sans fil).

### Sécurité de la zone de travail

1. **Maintenez la zone de travail propre et bien éclairée.** Les zones de travail encombrées ou sombres ouvrent toute grande la porte aux accidents.
2. **N'utilisez pas les outils électriques dans les atmosphères explosives, telles que celles où sont présents des liquides, gaz ou poussières inflammables.** Les outils électriques génèrent des étincelles qui peuvent allumer les poussières ou les vapeurs.
3. **Gardez les enfants et personnes présentes à l'écart pendant l'utilisation d'un outil électrique.** Toute distraction peut vous faire perdre la maîtrise de l'outil.

### Sécurité en matière d'électricité

1. **Les fiches d'outil électrique doivent correspondre à la prise de courant. Ne modifiez jamais la fiche, de quelque façon que ce soit. N'utilisez aucune fiche d'adaptation avec les outils électriques mis à la terre (à la masse).** Les fiches non modifiées et les prises de courant correspondantes réduisent le risque de décharge électrique.
2. **Évitez tout contact avec les surfaces mises à la terre ou à la masse, telles que celles des tuyaux, radiateurs, cuisinières et réfrigérateurs.** Le risque de décharge électrique augmente si votre corps est mis à la terre ou à la masse.

3. **N'exposez pas les outils électriques à la pluie ou à des surfaces mouillées.** La pénétration d'eau dans un outil électrique augmente le risque de décharge électrique.
4. **Ne maltraitez pas le cordon. N'utilisez jamais le cordon pour transporter, tirer sur ou débrancher l'outil électrique. Gardez le cordon à l'écart de la chaleur, de l'huile, des bords tranchants ou des pièces en mouvement.** Les cordons endommagés ou enchevêtrés augmentent le risque de décharge électrique.
5. **Lorsque vous utilisez un outil électrique à l'extérieur, faites-le avec un cordon prolongateur conçu pour l'usage extérieur.** Utiliser un cordon conçu pour l'usage extérieur réduit le risque de décharge électrique.
6. **Si l'utilisation d'un outil électrique dans un emplacement humide est inévitable, utilisez une source d'alimentation protégée par un disjoncteur différentiel de fuite à la terre (DDFT).** Utiliser un DDFT réduit le risque de décharge électrique.
7. **Les outils électriques peuvent produire des champs électromagnétiques (CEM) qui ne sont pas préjudiciables à l'utilisateur.** Les utilisateurs de stimulateur cardiaque ou autres appareils médicaux similaires doivent toutefois demander conseil au fabricant et/ou à leur médecin avant d'utiliser cet outil électrique.
8. **Ne touchez pas la fiche d'alimentation avec les mains mouillées.**
9. **Si le cordon est endommagé, faites-le remplacer par le fabricant ou son représentant, pour éviter les risques d'accident.**
6. **Portez des vêtements adéquats. Ne portez ni vêtements amples ni bijoux. Gardez vos cheveux, vêtements et gants à l'écart des pièces en mouvement.** Les vêtements amples, bijoux ou cheveux longs peuvent être happés par les pièces en mouvement.
7. **Si des accessoires sont fournis pour raccorder un appareil d'aspiration et de collecte des poussières, assurez-vous qu'ils sont correctement raccordés et qu'ils sont utilisés de manière adéquate.** L'utilisation d'un appareil de collecte des poussières permet de réduire les risques liés à la présence de poussières dans l'air.
8. **Ne vous laissez pas abuser, au point d'être sûr de vous et d'ignorer les principes de sécurité, par un sentiment de familiarité acquis par l'utilisation fréquente des outils électriques.** Un geste irréfléchi peut entraîner une grave blessure en une fraction de seconde.
9. **Portez toujours des lunettes à coques de protection pour protéger vos yeux contre les blessures lors de l'utilisation d'outils électriques. Les lunettes à coques doivent être conformes à ANSI Z87.1 aux États-Unis.** L'employeur a la responsabilité d'imposer l'utilisation d'équipements de protection de sécurité adéquats aux utilisateurs des outils électriques et à toute autre personne se trouvant dans la zone de travail immédiate.

#### Utilisation et entretien des outils électriques

#### Sécurité personnelle

1. **Restez vigilant, attentif à vos gestes et faites preuve de bon sens pendant l'utilisation d'un outil électrique. N'utilisez pas un outil électrique lorsque vous êtes fatigué ou sous l'influence d'une drogue, de l'alcool ou d'un médicament.** Tout moment d'inattention pendant l'utilisation des outils électriques peut entraîner une grave blessure.
2. **Utilisez l'équipement de protection individuel. Portez toujours un protecteur pour la vue.** Utilisé dans les conditions adéquates, l'équipement de protection - masque antipoussière, chaussures de sécurité antidérapantes, casque de protection ou protecteur auditif - réduit le risque de blessures.
3. **Évitez le démarrage accidentel. Assurez-vous que l'interrupteur est sur la position d'arrêt avant de connecter la source d'alimentation et/ou la batterie, de saisir l'outil ou de le transporter.** Transporter les outils électriques avec le doigt sur l'interrupteur, ou les connecter à une source d'alimentation alors que l'interrupteur est en position de marche ouvre toute grande la porte aux accidents.
4. **Retirez toute clé de serrage ou de réglage avant de mettre l'outil électrique en marche.** Une clé laissée en place sur une pièce rotative de l'outil électrique peut entraîner une blessure.
5. **Ne vous étirez pas trop. Assurez-vous d'une bonne prise au sol et d'une bonne position d'équilibre en tout temps.** Cela procure une meilleure maîtrise de l'outil électrique dans les situations imprévues.
1. **Ne forcez pas l'outil électrique. Utilisez l'outil électrique qui convient à votre application.** Si vous utilisez l'outil électrique adéquat et respectez le régime pour lequel il a été conçu, il effectuera un travail de meilleure qualité et plus sécuritaire.
2. **N'utilisez pas l'outil électrique s'il n'est pas possible de l'allumer et de l'éteindre avec son interrupteur.** Tout outil électrique dont l'interrupteur est défectueux représente un danger et doit être réparé.
3. **Débranchez la fiche de la source d'alimentation et/ou retirez la BATTERIE de l'outil électrique, si elle est amovible, avant d'effectuer tout réglage, de remplacer les accessoires ou de ranger les outils électriques.** De telles mesures de sécurité préventives réduisent le risque de démarrage accidentel de l'outil électrique.
4. **Mettez les outils électriques sous tension hors de la portée des enfants et ne laissez aucune personne les utiliser si elle n'est pas familiarisée avec l'outil électrique ou avec les présentes instructions d'utilisation.** Les outils électriques représentent un danger entre les mains de personnes qui n'en connaissent pas le mode d'utilisation.
5. **Veillez à l'entretien des outils électriques et des accessoires. Assurez-vous que les pièces mobiles ne sont pas désalignées ou coincées, qu'aucune pièce n'est cassée et que l'outil électrique n'a subi aucun dommage affectant son bon fonctionnement. Si un outil électrique est endommagé, faites-le réparer avant de l'utiliser.** De nombreux accidents sont causés par des outils électriques mal entretenus.

- Maintenez les outils tranchants bien aiguisés et propres.** Les outils tranchants dont l'entretien est effectué correctement et dont les bords sont bien aiguisés risquent moins de se coincer et sont plus faciles à maîtriser.
- Utilisez l'outil électrique, ses accessoires, ses embouts, etc., en respectant les présentes instructions et en tenant compte des conditions de travail et du type de travail à effectuer.** L'utilisation d'un outil électrique pour d'autres usages que ceux prévus peut entraîner une situation dangereuse.
- Gardez les poignées et surfaces de saisie sèches, propres et exemptes d'huile et de graisse.** Les poignées et surfaces de saisie glissantes ne permettent pas la manipulation sécuritaire et une bonne maîtrise de l'outil dans les situations imprévues.
- Lors de l'utilisation de l'outil, ne portez pas de gants de travail en tissu qui risquent de s'enchevêtrer dans l'outil.** L'enchevêtrement de gants de travail en tissu dans les pièces en mouvement peut entraîner une blessure.

#### Réparation

- Faites réparer votre outil électrique par un réparateur qualifié qui utilise des pièces de rechange identiques aux pièces d'origine.** Le maintien de la sûreté de l'outil électrique sera ainsi assuré.
- Suivez les instructions de lubrification et de remplacement des accessoires.**

Pour réduire le risque de décharge électrique, cet équipement est doté d'une fiche polarisée (une des lames est plus large que l'autre). Cette fiche ne s'insère que dans un seul sens dans une prise de courant polarisée. Si la fiche ne pénètre pas à fond dans la prise de courant, insérez-la dans l'autre sens. Si elle ne s'insère toujours pas à fond, contactez un électricien qualifié pour faire installer une prise de courant adéquate. Ne modifiez la fiche d'aucune façon.

**MISE EN GARDE SUR LA TENSION :** Avant de brancher l'outil sur une source d'alimentation (prise murale, prise de courant, etc.), assurez-vous que la tension fournie est la même que celle spécifiée sur la plaque signalétique de l'outil. Une source d'alimentation dont la tension est supérieure à celle spécifiée pour l'outil peut entraîner une GRAVE BLESSURE pour l'utilisateur, ainsi qu'endommager l'outil. En cas de doute, NE BRANCHEZ PAS L'OUTIL. L'utilisation d'une source d'alimentation dont la tension est inférieure à celle indiquée sur la plaque signalétique endommagera le moteur.

**UTILISEZ UN CORDON PROLONGATEUR APPROPRIÉ.** Assurez-vous que votre cordon prolongateur est en bonne condition. Lorsque vous utilisez un cordon prolongateur, assurez-vous qu'il est assez robuste pour transporter le courant exigé par le produit. Un cordon trop petit entraînera une baisse dans la tension composée, ce qui causera une perte d'énergie et une surchauffe. Le tableau 1 indique la dimension de cordon à utiliser, en fonction de la longueur du cordon et de l'intensité nominale figurant sur la plaque signalétique. En cas de doute, utilisez un calibre plus robuste. Plus le numéro de calibre est bas, plus le cordon est robuste.

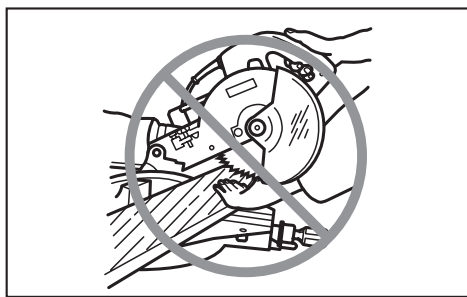
**Tableau 1 : Calibre minimum du cordon**

Intensité nominale		Volts		Longueur totale du cordon en pieds			
		120 V		25 ft.	50 ft.	100 ft.	150 ft.
		220 V - 240 V		50 ft.	100 ft.	200 ft.	300 ft.
Plus de	Pas plus de	Calibre américain des fils					
0 A	6 A	-	18	16	16	14	
6 A	10 A		18	16	14	12	
10 A	12 A		16	16	14	12	
12 A	16 A		14	12	Non recommandé		

### Consignes de sécurité pour scies à coupe d'onglet

- Les scies à coupe d'onglet sont conçues pour couper le bois ou les produits dérivés du bois. Elles ne peuvent pas être utilisées avec les meules tronçonneuses abrasives pour couper les matériaux ferreux comme les barres, tiges, goujons, etc.** La poussière abrasive bloque les pièces mobiles telles que le protecteur inférieur. Les étincelles provoquées par la coupe abrasive brûleront le protecteur inférieur, la fente de découpe et autres pièces en plastique.
- Utilisez des dispositifs de serrage pour soutenir la pièce à travailler chaque fois que cela est possible. Si vous soutenez la pièce d'une main, vous devez toujours la garder à au moins 100 mm d'un côté comme de l'autre de la lame de scie. N'utilisez pas cette scie pour couper des pièces trop petites pour être fermement fixées ou tenues dans la main.** Si votre main se trouve trop près de la lame de scie, il y aura un risque accru de blessure au contact de la lame.
- La pièce à travailler doit être immobile et fixée ou retenue contre le garde et la table. Ne faites pas avancer la pièce à travailler vers la lame, et n'effectuez d'aucune façon la coupe « à main levée ».** Les pièces non retenues ou qui bougent peuvent être éjectées à grande vitesse et causer une blessure.
- Ne mettez jamais la main à travers la ligne de coupe prévue, aussi bien devant que derrière la lame de scie.** Il est très dangereux de tenir la pièce à travailler en « croisant les mains », c'est-à-dire en tenant la pièce du côté droit de la lame de scie avec la main gauche, ou vice-versa.





5. **Pendant que la lame tourne, ne tendez pas la main derrière le garde à moins de 100 mm d'un côté ou de l'autre de la lame de scie pour enlever des copeaux de bois ou pour toute autre raison.** La lame de scie en rotation peut être plus près qu'elle ne semble de votre main et vous risquez de vous blesser grièvement.
  6. **Inspectez votre pièce à travailler avant de la couper. Si la pièce à travailler est courbée ou gauchie, serrez-la en plaçant la face extérieure de la courbe du côté du garde. Assurez-vous toujours qu'il n'y a pas de jeu entre la pièce à travailler, le garde et la table le long de la ligne de coupe.** En se tordant ou en se déplaçant, les pièces à travailler pliées ou courbées peuvent emprisonner la lame de scie en rotation pendant la coupe. Il ne doit pas y avoir de clous ou de corps étrangers dans la pièce à travailler.
  7. **N'utilisez la scie qu'après avoir tout enlevé sur la table - outils, copeaux de bois, etc. -, à l'exception de la pièce à travailler.** Au contact de la lame en rotation, les petits débris, morceaux de bois détachés ou autres objets peuvent être éjectés à grande vitesse.
  8. **Ne coupez qu'une seule pièce à la fois.** Empilées, les pièces ne peuvent être adéquatement serrées ou renforcées, et elles peuvent emprisonner la lame ou se déplacer pendant la coupe.
  9. **Avant d'utiliser la scie à coupe d'onglet, assurez-vous qu'elle est montée ou placée sur une surface de travail plane et ferme.** Une surface de travail plane et ferme réduit le risque que la scie à coupe d'onglet devienne instable.
  10. **Planifiez votre travail. Chaque fois que vous modifiez le réglage d'angle de biseau ou d'onglet, assurez-vous que le garde ajustable est bien placé pour soutenir la pièce à travailler et qu'il ne gênera pas ni lame ni le dispositif de protection.** Sans allumer l'outil et sans pièce à travailler sur la table, simulez une coupe complète en déplaçant la lame de scie pour vous assurer que rien ne gênera la coupe et qu'il n'y a aucun risque de couper le garde.
  11. **Si la pièce à travailler est plus large ou plus longue que le dessus de la table, soutenez-la adéquatement avec une rallonge de table, des chevalets de sciage, etc.** Les pièces plus longues ou plus larges que la table de scie à coupe d'onglet peuvent basculer si elles ne sont pas fermement soutenues. En basculant, la partie découpée de la pièce ou la pièce elle-même peut soulever le protecteur inférieur ou être éjectée par la lame en rotation.
  12. **Ne demandez pas à une autre personne de remplir le rôle de la rallonge de table ou de fournir un soutien supplémentaire.** Avec un soutien instable, la pièce à travailler peut emprisonner la lame ou se déplacer pendant la coupe, et entraîner du même coup votre assistant ou vous-même vers la lame en rotation.
  13. **La partie découpée de la pièce ne doit être d'aucune façon coincée ou pressée contre la lame de scie en rotation.** Si elle est retenue, par exemple à l'aide de butées longitudinales, la partie découpée de la pièce risque d'être coincée contre la lame et éjectée violemment.
  14. **Utilisez toujours un dispositif de serrage ou une fixation conçu pour soutenir les tiges, tuyaux et autres objets ronds.** Les tiges ont tendance à rouler pendant la coupe, ce qui fait « mordre » la lame et attire la pièce, avec votre main, vers la lame.
  15. **Laissez la lame atteindre sa pleine vitesse avant de la mettre en contact avec la pièce à travailler.** Cela réduira le risque d'éjection de la pièce à travailler.
  16. **Si la pièce à travailler ou la lame se coince, éteignez la scie à coupe d'onglet. Attendez l'arrêt de toutes les pièces en mouvement et débranchez la fiche de la source d'alimentation et/ou retirez la batterie. Retirez ensuite le matériel coincé.** Continuer de scier avec une pièce à travailler coincée peut causer une perte de maîtrise de la scie à coupe d'onglet ou l'endommager.
  17. **Une fois la coupe terminée, relâchez l'interrupteur, maintenez la tête de la scie basse et attendez l'arrêt complet de la lame avant de retirer la partie découpée de la pièce.** Il est dangereux de tendre la main près de lame qui tourne.
  18. **Tenez la poignée fermement lorsque vous interrompez une coupe avant la fin ou lorsque vous libérez l'interrupteur avant que la tête de scie ne soit complètement en position basse.** En attirant soudainement la tête de scie vers le bas, le freinage de la scie peut entraîner un risque de blessure.
  19. **N'utilisez que la lame de scie dont le diamètre correspond aux indications données sur l'outil ou dans le manuel.** L'utilisation d'une lame d'une taille incorrecte peut affecter la protection de la lame ou le fonctionnement du protecteur, ce qui comporte un risque de grave blessure.
  20. **Utilisez uniquement les lames de scie dont la vitesse indiquée est égale ou supérieure à la vitesse indiquée sur l'outil.**
  21. **Choisissez toujours la lame de scie qui convient au matériau à couper. N'utilisez pas la lame de scie pour couper des matériaux autres que ceux spécifiés.**
  22. **N'utilisez pas la scie pour couper autre chose que le bois, l'aluminium ou des matériaux similaires.**
- Instructions additionnelles**
1. **Usage prévu**  
L'outil est conçu pour l'exécution précise de la coupe rectiligne et de la coupe d'onglet dans le bois. Avec des lames de scie adéquates, il est aussi possible de scier l'aluminium.




2. **Faites en sorte que l'atelier soit sans danger pour les enfants en y posant des cadenas.**
3. **Ne vous appuyez jamais sur l'outil.** Vous courez un risque de blessure grave si l'outil bascule ou si vous touchez accidentellement l'outil tranchant.
4. **Ne laissez jamais sans surveillance un outil en marche. Coupez le contact. Attendez que l'outil se soit complètement arrêté avant de le quitter.**
5. **N'utilisez jamais la scie sans les protecteurs en place. Assurez-vous avant chaque utilisation que le protège-lame se referme bien. N'utilisez pas la scie si le protège-lame ne se déplace pas librement et ne se referme pas instantanément. Ne fixez ou n'attachez jamais le protège-lame en position ouverte.**
6. **Maintenez les mains hors de la ligne de coupe de la lame de scie. Évitez tout contact avec la lame lorsqu'elle continue de tourner après la mise hors tension de l'outil. Elle peut alors quand même causer de graves blessures.**
7. **Fixez toujours les composants mobiles de l'outil avant de le transporter.**
8. **La broche de blocage qui verrouille en position basse la tête de coupe est conçue exclusivement pour le transport et le rangement de l'outil, et ne doit être utilisée pour aucun travail de coupe.**
9. **Avant l'utilisation, vérifiez toujours soigneusement l'absence de fissures ou de dommages sur la lame. Veuillez remplacer immédiatement toute lame fissurée ou endommagée. La présence de résine et de goudron sur la lame ralentit la scie et entraîne une augmentation des risques de rebond. Pour nettoyer la lame, retirez-la d'abord de l'outil, puis utilisez un décapant, de l'eau chaude ou du kérosène pour retirer la résine et le goudron. N'utilisez jamais d'essence pour nettoyer la lame.**
10. **Utilisez exclusivement les flasques spécifiés pour cet outil.**
11. **Prenez garde d'endommager l'alésage, les flasques (tout particulièrement leur surface d'installation) ou le boulon. L'endommagement de ces pièces peut causer une cassure de la lame.**
12. **Assurez-vous que le socle rotatif est bien immobilisé, de sorte qu'il ne bouge pas pendant l'opération. Fixez la scie à une surface de travail ou à un établi stable au moyen des trous du socle. N'utilisez JAMAIS l'outil si vous vous trouvez dans une position qui n'assure pas une pleine liberté de mouvement.**
13. **Assurez-vous que le blocage de l'arbre est libéré avant de mettre l'outil sous tension.**
14. **Assurez-vous que la lame n'entre pas en contact avec le socle rotatif lorsqu'elle se trouve sur sa position la plus basse.**
15. **Tenez la poignée fermement. N'oubliez pas que la scie se déplace légèrement vers le haut ou le bas au démarrage et à l'arrêt.**
16. **Assurez-vous que la lame n'entre pas en contact avec la pièce avant de mettre l'outil sous tension.**
17. **Avant d'utiliser l'outil sur la pièce, laissez-le tourner à vide un instant. Soyez attentif à toute vibration ou tout sautellement pouvant indiquer que la lame n'est pas bien installée ou est mal équilibrée.**
18. **Arrêtez immédiatement votre outil dès que vous observez quelque chose d'anormal.**
19. **N'essayez pas de verrouiller la gâchette en position de marche.**
20. **Utilisez toujours les accessoires recommandés dans le présent manuel. L'utilisation d'accessoires inadéquats, tels que les meules abrasives par exemple, peut entraîner une blessure.**
21. **Certains matériaux contiennent des produits chimiques qui peuvent être toxiques. Prenez les précautions nécessaires pour éviter l'inhalation des poussières ou leur contact avec la peau. Conformez-vous aux consignes de sécurité du fournisseur du matériau.**

## CONSERVEZ CE MODE D'EMPLOI.

**⚠ MISE EN GARDE : NE VOUS LAISSEZ PAS tromper (au fil d'une utilisation répétée) par un sentiment d'aisance ou de familiarité avec le produit en négligeant les consignes de sécurité qui accompagnent le produit. L'UTILISATION INCORRECTE ou l'ignorance des consignes de sécurité du présent manuel d'instructions comporte un risque de blessure grave.**

### Symboles

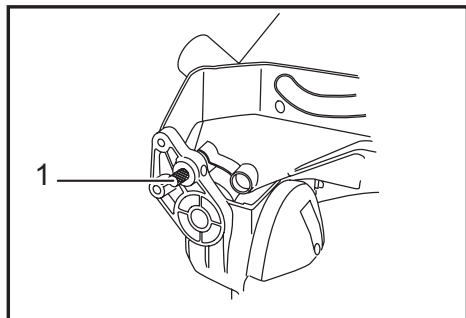
Les symboles utilisés pour l'outil sont indiqués ci-dessous.

V	volts
A	ampères
Hz	hertz
n°	vitesse à vide
~	courant alternatif
	construction, catégorie II
... /min r /min	tours ou alternances par minute
	Ne mettez pas la main ou les doigts près de la lame.
	Pour desserrer le boulon, tournez-le dans le sens des aiguilles d'une montre.

# INSTALLATION

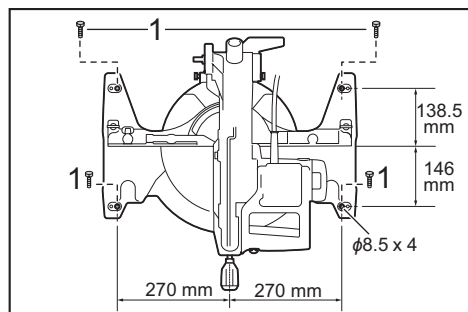
## Montage du banc

À sa sortie d'usine, la poignée de cet outil est verrouillée en position basse par la broche de blocage. Pour dégager la broche de blocage, abaissez légèrement la poignée et tirez sur la broche.



► 1. Broche de blocage

Cet outil doit être fixé à l'aide de quatre boulons sur une surface stable et de niveau, en utilisant les orifices prévus à cet effet sur le socle de l'outil. Cela contribuera à réduire les risques de basculement et de blessure.



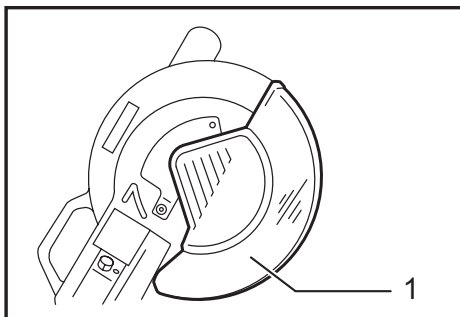
► 1. Boulon

# DESCRIPTION DU FONCTIONNEMENT

## ⚠ ATTENTION :

- Assurez-vous toujours que l'outil est hors tension et débranché avant de l'ajuster ou de vérifier son fonctionnement.

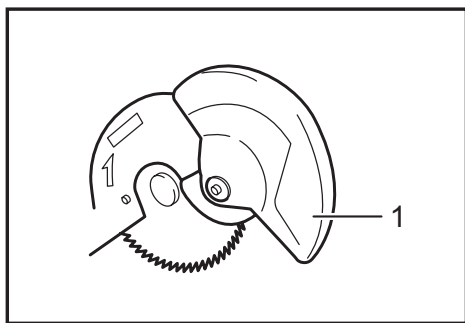
## Protecteur de lame



► 1. Protecteur de lame

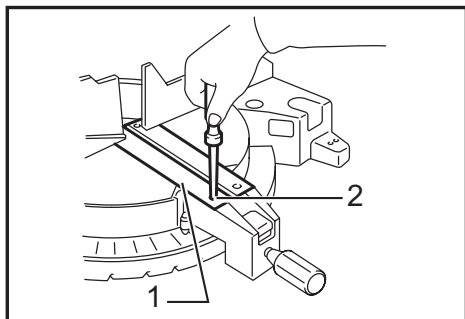
Le protecteur de lame se s'élève automatiquement lors de l'abaissement de la poignée. Le protecteur étant équipé d'un ressort de rappel, il retourne à sa position initiale lorsque la coupe est terminée et que la poignée est relevée. **NE JAMAIS MODIFIER OU RETIRER LE PROTECTEUR DE LAME OU SON RESSORT.** Pour votre propre sécurité, maintenez toujours le protecteur de lame en bonne condition. Tout fonctionnement irrégulier du protecteur de lame doit être corrigé immédiatement. Assurez-vous que le mécanisme de rappel du protecteur fonctionne correctement. **NE JAMAIS UTILISER L'OUTIL SI LE PROTECTEUR DE LAME OU LE RESSORT EST ENDOMMAGÉ, DÉFECTUEUX OU RETIRÉ. CELA EST EXTRÊMEMENT DANGEREUX ET PEUT CAUSER UNE GRAVE BLESSURE.**

Si le protecteur de lame transparent devient sale ou si la sciure de bois y adhère au point que la lame et/ou la pièce ne soit plus bien visible, débranchez la scie et nettoyez soigneusement le protecteur avec un chiffon humide. N'utilisez pas de solvants ni de détergents à base d'essence sur le protecteur en plastique. Si les saletés sont telles qu'il n'est plus possible de voir à travers le protège-lame, utilisez la clé hexagonale fournie pour desserrer le boulon hexagonal qui retient le couvercle central. Desserrez le boulon hexagonal en le tournant dans le sens contraire des aiguilles d'une montre, puis soulevez le protège-lame et le couvercle central. Avec le protège-lame dans cette position, le nettoyage peut être effectué de manière plus complète et efficace. Une fois le nettoyage terminé, faites la procédure ci-dessus en sens inverse et fixez le boulon. Ne retirez pas le ressort qui retient le protège-lame. Si le protège-lame se décolore avec le temps ou sous l'exposition aux rayons ultraviolets, contactez un centre de service après-vente Makita pour vous procurer un nouveau protège-lame. **NE NEUTRALISEZ PAS ET NE RETIREZ PAS LE PROTÈGE-LAME.**

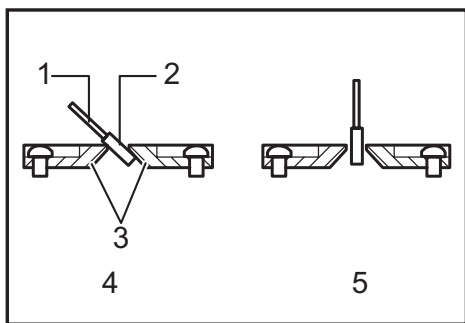


► 1. Protecteur de lame

## Positionnement du plateau de découpe



► 1. Plateau de découpe 2. Vis



► 1. Lame 2. Dents de la lame 3. Plateau de découpe  
4. Coupe en biseau sur la gauche 5. Coupe rectiligne

Le socle rotatif de cet outil est équipé de plateaux de découpe pour réduire la déchirure du côté extérieur de la coupe. Les plateaux de découpe sont réglés en usine de sorte qu'ils n'entrent pas en contact avec la lame. Avant l'utilisation, ajustez les plateaux de découpe comme suit: Débranchez d'abord l'outil. Desserrez toutes les vis qui retiennent les plateaux de découpe (2 à droite et à gauche respectivement). Ne les resserrez que partiellement, de sorte que les plateaux de découpe puissent facilement être déplacés manuellement. Abaissez complètement la poignée et enfoncez la broche de blocage pour verrouiller la poignée en position basse. Ajustez les plateaux de découpe de sorte qu'ils touchent très légèrement les côtés des dents de la lame. Serrez toutes les vis (ne les serrez pas fermement).

Après avoir ajusté les plateaux de découpe, dégagez la broche de blocage et relevez la poignée. Serrez ensuite toutes les vis fermement.

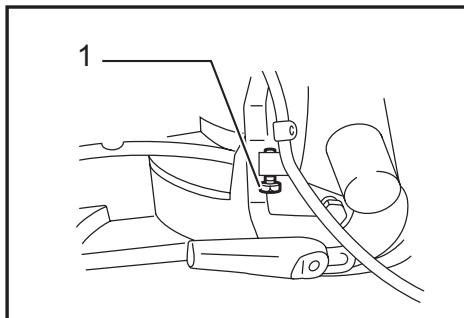
### ATTENTION :

- Avant et après la modification de l'angle de coupe en biseau, ajustez toujours les plateaux de découpe de la façon décrite ci-dessus.

## Maintien de la capacité de coupe maximale

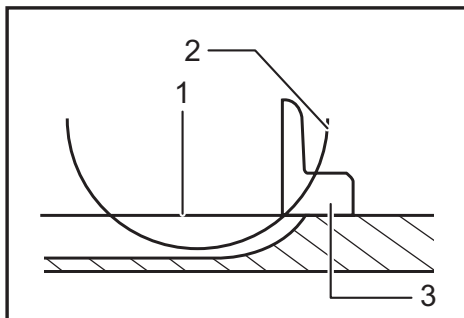
Cet outil est réglé en usine pour offrir une capacité de coupe maximale avec une lame de 305 mm (12"). Lorsque vous posez une nouvelle lame, vérifiez toujours la position limite inférieure de la lame, et réglez-la comme suit au besoin:

Débranchez d'abord l'outil. Abaissez complètement la poignée. À l'aide de la clé hexagonale, tournez le boulon de réglage jusqu'à ce que le bord de la lame se trouve légèrement sous la surface du socle rotatif, là où la face avant du garde de guidage rencontre la face supérieure du socle rotatif.



► 1. Boulon de réglage

Débranchez l'outil et faites tourner la lame manuellement en maintenant la poignée en position parfaitement abaissée, pour être sûr que la lame n'entre en contact avec aucune partie de la base inférieure. Au besoin, effectuez un léger réajustement.

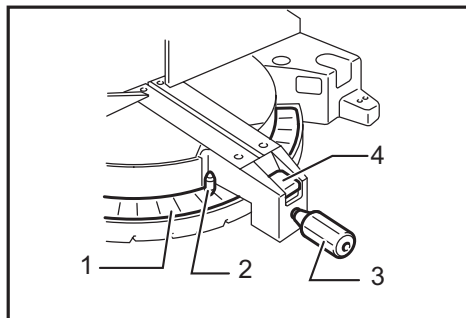


► 1. Face supérieure du socle rotatif 2. Bord de la lame 3. Garde de guidage

### ATTENTION :

- Après avoir posé une nouvelle lame, assurez-vous toujours qu'elle n'entre en contact avec aucune partie de la base inférieure lorsque la poignée est complètement abaissée. Débranchez toujours l'outil avant d'effectuer cette opération.

## Réglage de l'angle de coupe d'onglet



- 1. Échelle de coupe d'onglet 2. Index 3. Poignée  
4. Levier de verrouillage

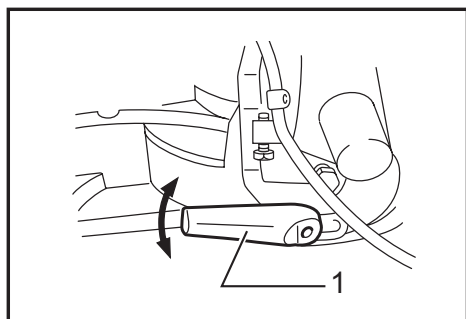
Desserrez la poignée en la tournant dans le sens inverse des aiguilles d'une montre. Faites tourner le socle rotatif tout en abaissant le levier de verrouillage. Après avoir déplacé la poignée sur la position où le pointeur indique l'angle désiré sur l'échelle de coupe d'onglet, serrez fermement la poignée dans le sens des aiguilles d'une montre.

### ⚠ ATTENTION :

- Assurez-vous de soulever complètement la poignée lorsque vous faites tourner le socle rotatif.
- Après avoir modifié l'angle de coupe d'onglet, fixez toujours le socle rotatif en serrant à fond la poignée.

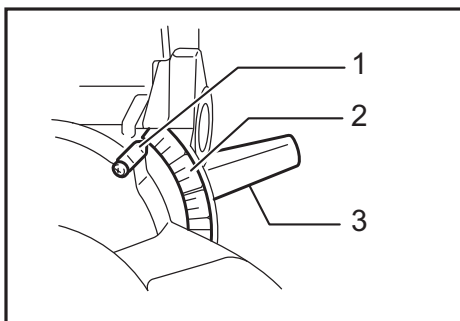
## Réglage de l'angle de coupe en biseau

Pour ajuster l'angle de coupe en biseau, desserrez le levier à l'arrière de l'outil dans le sens inverse des aiguilles d'une montre.



- 1. Levier

Poussez la poignée vers la gauche pour incliner la lame jusqu'à ce que le pointeur indique l'angle désiré sur l'échelle de coupe en biseau. Serrez ensuite le levier fermement dans le sens des aiguilles d'une montre pour fixer le bras.



- 1. Index 2. Échelle de coupe en biseau 3. Levier

### ⚠ ATTENTION :

- Assurez-vous de soulever complètement la poignée lorsque vous inclinez la lame.
- Après avoir modifié l'angle de coupe en biseau, fixez toujours le bras en serrant le levier dans le sens des aiguilles d'une montre.
- Lorsque vous modifiez l'angle de coupe en biseau, assurez-vous toujours de bien placer les plateaux de découpe, tel que décrit dans la section "Positionnement des plateaux de découpe."

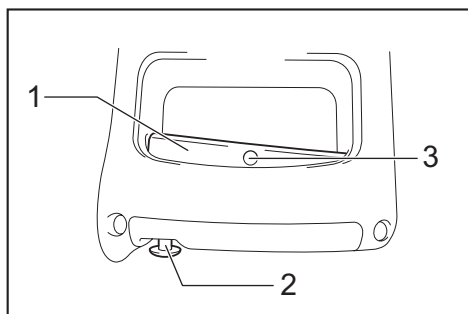
## Interrupteur

**⚠ MISE EN GARDE :** Avant de brancher l'outil, vérifiez toujours que la gâchette fonctionne correctement et qu'elle revient en position d'arrêt quand vous la libérez. Ne tirez pas fortement sur la gâchette sans avoir d'abord enfoncé le bouton de sécurité. Vous risquez de casser l'interrupteur. Si vous utilisez un outil avec un interrupteur qui ne fonctionne pas correctement, vous risquez de perdre le contrôle de l'outil et de vous blesser grièvement.

**⚠ MISE EN GARDE :** N'utilisez JAMAIS un outil dont la gâchette présente un problème. Tout outil dont la gâchette présente un problème est TRÈS DANGEREUX et doit être réparé avant d'être utilisé, autrement il y a risque de blessure grave.

**⚠ MISE EN GARDE :** Le bouton de sécurité ne doit JAMAIS être immobilisé avec du ruban adhésif ou de toute autre façon. Une gâchette dont le bouton de sécurisé est neutralisé peut causer la mise en marche accidentelle et une grave blessure.

**⚠ MISE EN GARDE :** N'utilisez JAMAIS l'outil s'il s'active simplement en appuyant sur la gâchette sans enfoncer le bouton de sécurité. Une gâchette défectueuse peut causer la mise en marche accidentelle et une grave blessure. AVANT de poursuivre l'utilisation, retournez l'outil à un centre de service après-vente Makita pour le faire réparer.



► 1. Gâchette 2. Bouton de sécurité 3. Trou pour cadenas

Un bouton de sécurité est fourni pour prévenir la pression accidentelle sur la gâchette. Pour faire démarrer l'outil, enfoncez le bouton de sécurité et appuyez sur la gâchette. Pour l'arrêter, libérez la gâchette. Un trou a été prévu dans la gâchette pour l'insertion d'un cadenas permettant de verrouiller l'outil.

**⚠ MISE EN GARDE :** N'utilisez pas un cadenas dont la tige ou le câble a un diamètre inférieur à 6,35 mm (1/4"). Une tige ou un câble de format inférieur pourrait ne pas verrouiller correctement l'outil en position arrêtée et un démarrage accidentel risquerait de vous blesser grièvement.

## Frein électrique

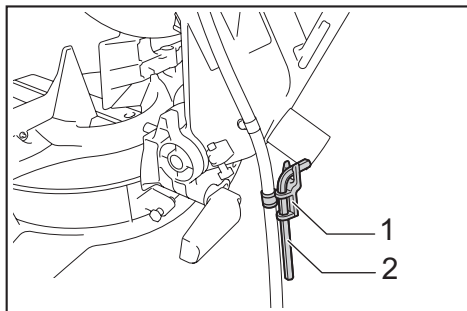
Cet outil est équipé d'un frein à lame électrique. Si à plusieurs reprises l'outil ne s'arrête pas rapidement après le relâchement de la gâchette, faites-le réparer dans un centre de service après-vente Makita. Le mécanisme de frein à lame ne doit pas être utilisé en remplacement du protecteur de lame. N'UTILISEZ JAMAIS L'OUTIL LORSQUE LE PROTECTEUR DE LAME NE FONCTIONNE PAS. CELA COMPORTE DES RISQUES DE BLESSURE GRAVE.

## ASSEMBLAGE

### ⚠ ATTENTION :

- Avant d'effectuer toute intervention sur l'outil, assurez-vous toujours qu'il est hors tension et débranché.

## Rangement de la clé hexagonale



► 1. Support à clé 2. Clé hexagonale

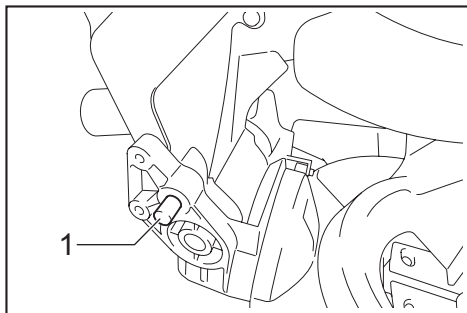
La clé hexagonale est rangée de la façon illustrée. Pour utiliser la clé hexagonale, retirez-la du support à clé. Après avoir utilisé la clé hexagonale, vous pouvez la ranger en la remettant dans le support à clé.

## Pose et retrait de la lame de scie

### ⚠ ATTENTION :

- Assurez-vous toujours que l'outil est hors tension et débranché avant de poser ou de retirer la lame.
- Utilisez uniquement la clé hexagonale Makita fournie pour poser ou enlever la lame. Autrement le boulon hexagonal risque d'être trop ou pas assez serré. Cela comporte un risque de blessure.

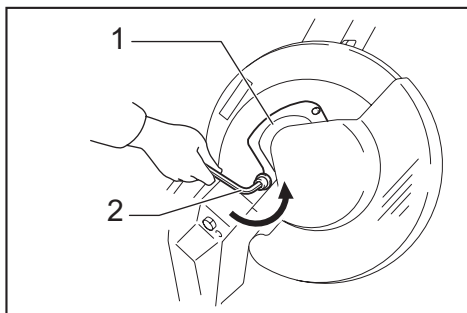
Verrouillez la poignée en position élevée et y poussant la broche de blocage.



► 1. Broche de blocage

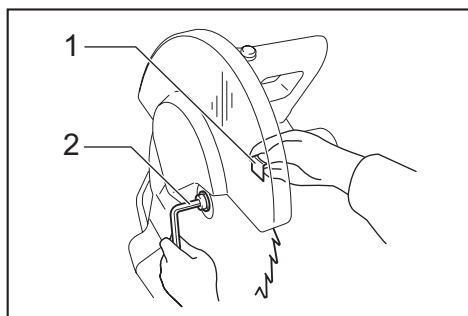
## Retrait de la lame

Pour retirer la lame, utilisez la clé hexagonale pour desserrer le boulon hexagonal qui retient le couvercle central, en le tournant dans le sens contraire des aiguilles d'une montre. Soulevez le protège-lame et le couvercle central.



► 1. Couvercle central 2. Clé hexagonale

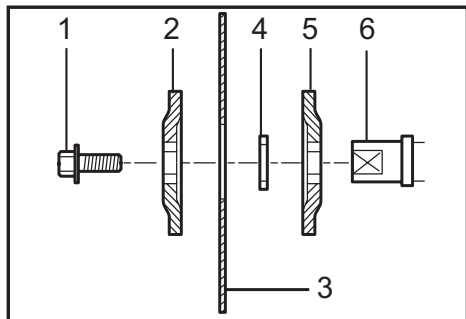
Appuyez sur le blocage de l'arbre pour verrouiller l'axe, et utilisez la clé hexagonale pour desserrer le boulon hexagonal en tournant dans le sens des aiguilles d'une montre. Retirez ensuite le boulon hexagonal, le flasque extérieur et la lame.



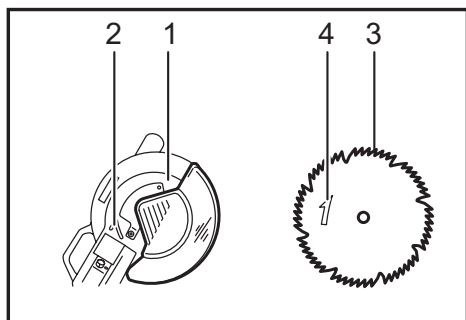
► 1. Verrouillage de l'arbre 2. Clé hexagonale

## Pose de la lame

Pour poser la lame, montez-la soigneusement sur l'axe, en vous assurant que la flèche sur la surface de la lame et la flèche du porte-lame pointent dans le même sens. Installez le flasque extérieur et le boulon hexagonal (à filet renversé) en tournant dans le sens contraire des aiguilles d'une montre tout en appuyant sur le blocage de l'arbre.



► 1. Boulon hexagonal 2. Bague externe 3. Lame 4. Bague 5. Bague interne 6. Axe

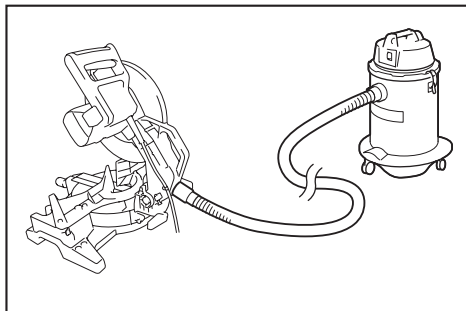


► 1. Boîtier de la lame 2. Flèche 3. Lame 4. Flèche

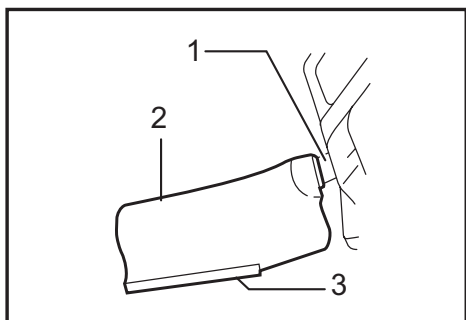
Ramenez le protège-lame et le couvercle central sur leur position d'origine. Serrez ensuite le boulon hexagonal dans le sens des aiguilles d'une montre pour fixer le couvercle central. Libérez la poignée de la position élevée en tirant sur la broche de blocage. Abaissez la poignée pour vous assurer que le protège-lame se déplace correctement. Avant d'effectuer une coupe, assurez-vous que le blocage de l'arbre a libéré l'axe.

## Raccordement à un aspirateur

Lorsque vous souhaitez effectuer un travail de coupe propre, raccordez un aspirateur Makita.



## Sac à poussières



► 1. Raccord à poussières 2. Sac à poussières 3. Pièce de fixation

L'utilisation du sac à poussières permet d'effectuer des coupes en toute propreté et facilite la collecte des poussières. Pour fixer le sac à poussières, insérez-le dans le raccord à poussières.

Lorsque le sac à poussières est environ à moitié plein, retirez-le de l'outil et tirez sur l'agrafe. Videz le sac à poussières, en le tapant légèrement pour retirer les particules qui adhèrent à sa surface intérieure et risqueraient de faire obstacle à la collecte des poussières par la suite.

### NOTE :

- Vous pourrez effectuer un travail plus efficace et plus propre si vous raccordez un aspirateur à votre scie.

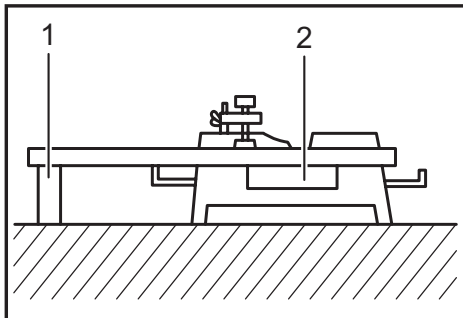
## Immobilisation de la pièce

### ⚠ MISE EN GARDE :

- Il est très important de toujours immobiliser la pièce de manière adéquate et ferme avec l'étau. Sinon, vous risquez d'endommager l'outil et/ou de détruire la pièce. CELA COMPORTE ÉGALEMENT UN RISQUE DE BLESSURE. De plus, après la coupe, NE PAS soulever la lame avant qu'elle ne se soit complètement arrêtée.

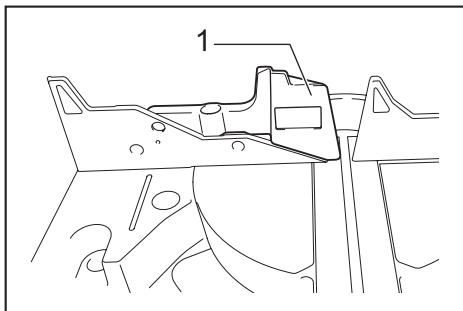
### ⚠ ATTENTION :

- Lorsque vous coupez des pièces longues, utilisez des supports aussi hauts que le niveau de la surface supérieure du socle rotatif. Ne vous contentez pas d'un étau vertical et/ou d'un étau horizontal pour immobiliser la pièce. Les matériaux minces ont tendance à s'affaisser. Supportez la pièce sur toute sa longueur, pour éviter que la lame ne se coince et provoque un éventuel CHOC EN RETOUR.



► 1. Support 2. Socle rotatif

### Garde auxiliaire

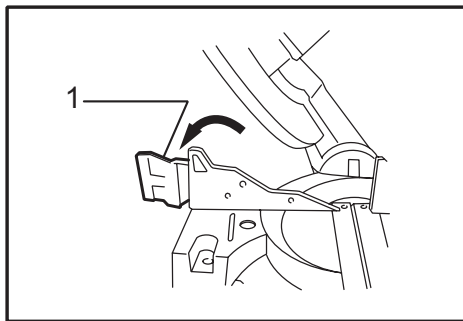


► 1. Garde auxiliaire

Cet outil est muni d'un garde auxiliaire. Celle-ci doit être placée de la façon indiquée sur la figure. Il doit toutefois être placé sur la position de gauche lors des coupes en biseau du côté gauche, tel qu'indiqué sur la figure.

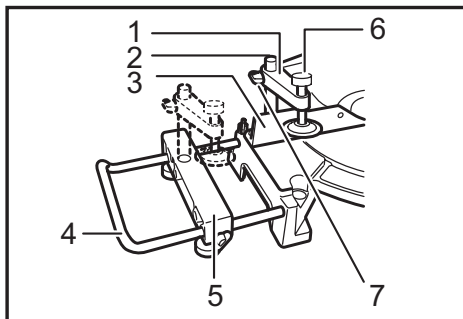
### ⚠ ATTENTION :

- Lorsque vous effectuez des coupes en biseau sur la gauche, faites basculer le garde sur la position gauche, tel qu'indiqué sur l'illustration. Sinon, il entrera en contact avec la lame ou une partie de l'outil, risquant de blesser gravement l'utilisateur.



► 1. Garde auxiliaire

### Étau vertical



► 1. Bras de l'étau 2. Tige de l'étau 3. Garde de guidage 4. Support 5. Ensemble support 6. Bouton de l'étau 7. Vis

L'étau vertical peut être installé sur l'une ou l'autre de deux positions, du côté gauche ou droit du garde de guidage ou de l'ensemble support (accessoire en option). Insérez la tige de l'étau dans l'orifice du garde de guidage ou de l'ensemble de support, et serrez la vis pour fixer la tige de l'étau.

Positionnez le bras de l'étau selon l'épaisseur et la forme de la pièce, et fixez le bras de l'étau en serrant la vis. Si la vis qui retient le bras de l'étau entre en contact avec le garde de guidage, installez-la de l'autre côté du bras de l'étau. Assurez-vous qu'aucune partie de l'outil n'entre en contact avec l'étau lorsque vous abaissez la poignée jusqu'au bout. Si une partie quelconque entre en contact avec l'étau, modifiez la position de ce dernier.

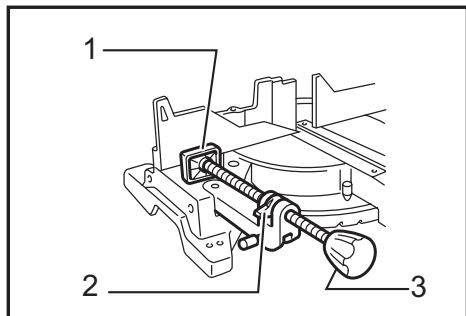
Appuyez la pièce bien à plat contre le garde de guidage et tournez le socle rotatif. Placez la pièce sur la position de coupe désirée et immobilisez-la fermement en serrant le bouton de l'étau.

### ⚠ ATTENTION :

- La pièce doit être fixée fermement contre le socle rotatif et le garde de guidage avec l'étau pendant toutes les opérations.



## Étau horizontal (Accessoire en option)



► 1. Plaque de l'étau 2. Écrou de l'étau 3. Bouton de l'étau

L'étau horizontal peut être installé sur l'une ou l'autre de deux positions, du côté gauche ou droit de la base. Lorsque vous effectuez des coupes d'onglet de 15° ou plus, installez l'étau horizontal du côté opposé au sens où doit être tourné le socle rotatif.

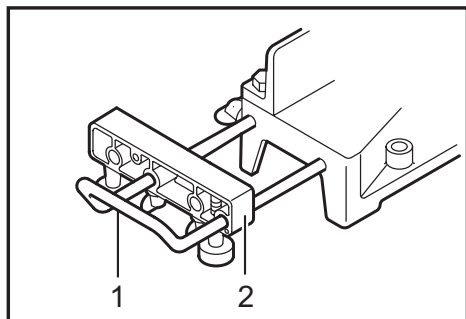
En faisant basculer l'écrou de l'étau vers la gauche, l'étau est relâché et peut être déplacé rapidement vers l'intérieur et l'extérieur. Pour serrer la pièce, poussez le bouton de l'étau vers l'avant jusqu'à ce que la plaque de l'étau entre en contact avec la pièce, puis faites basculer l'écrou de l'étau vers la droite. Tournez ensuite le bouton de l'étau dans le sens des aiguilles d'une montre pour immobiliser la pièce.

L'étau horizontal peut immobiliser une pièce d'une largeur maximale de 200 mm (7-7/8").

### ⚠ ATTENTION :

- Lorsque vous immobilisez la pièce, tournez toujours l'écrou de l'étau complètement vers la droite. Sinon, la pièce risque de ne pas être bien immobilisée. Cela risque d'entraîner la projection de la pièce, d'endommager la lame ou de provoquer une perte de contrôle de l'outil dont peut résulter une BLESSURE.

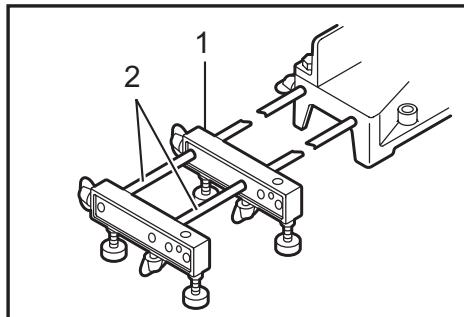
## Supports et ensemble de support (accessoires en option)



► 1. Support 2. Ensemble support

Les supports et l'ensemble de support peuvent être installés d'un côté ou de l'autre et offrent un moyen pratique de supporter les pièces horizontalement. Installez-les de la façon indiquée sur l'illustration. Serrez ensuite les vis fermement pour immobiliser les supports et l'ensemble de support.

Lorsque vous coupez de longues pièces, utilisez l'ensemble de support-tige (accessoire en option). Il se compose de deux ensembles de support et de deux tiges numéro 12.



► 1. Ensemble support 2. Tige 12

### ⚠ ATTENTION :

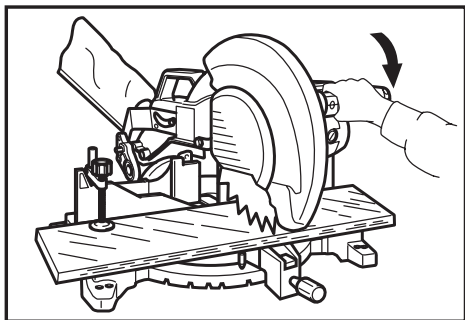
- Maintenez toujours les longues pièces au même niveau que la surface supérieure du socle rotatif pour obtenir des coupes de précision et pour prévenir toute perte de contrôle dangereuse de l'outil.

## UTILISATION

### ⚠ ATTENTION :

- Avant l'utilisation, assurez-vous d'avoir dégagé la poignée de la position basse en tirant sur la broche de blocage.
- Assurez-vous que la lame n'entre pas en contact avec la pièce ou tout autre objet avant de mettre le contact.
- Pendant la coupe, n'appliquez pas une pression excessive sur la poignée. L'application d'une trop grande force peut entraîner une surcharge du moteur et/ou réduire la capacité de coupe. Abaissez la poignée en ne lui appliquant que la force nécessaire pour obtenir une coupe en douceur et sans décélération excessive de la lame.
- Abaissez doucement la poignée pour effectuer la coupe. Si la poignée est abaissée avec force ou si une force latérale lui est appliquée, la lame vibrera et laissera une marque (trace de scie) dans la pièce, et la précision de la coupe sera affectée.

## Coupe sous presse

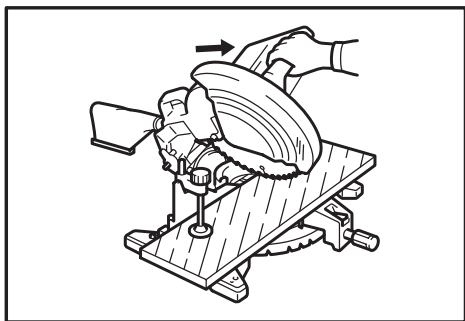


Immobilisez la pièce avec l'étau. Mettez l'outil sous tension alors que la lame n'entre en contact avec aucune surface, et attendez qu'elle ait atteint sa pleine vitesse avant de l'abaisser. Abaissez ensuite doucement la poignée jusqu'à la position la plus basse pour effectuer la coupe de la pièce. Une fois la coupe terminée, mettez l'outil hors tension et **ATTENDEZ L'ARRÊT COMPLET DE LA LAME** avant de remettre la lame sur sa position la plus élevée.

## Coupe d'onglet

Référez-vous à la section précédente intitulée "Réglage de l'angle de coupe d'onglet."

## Coupe en biseau



Desserrez le levier et inclinez la lame pour régler l'angle de coupe en biseau (référez-vous à la section précédente intitulée "Réglage de l'angle de coupe en biseau"). Assurez-vous d'avoir resserré fermement le levier pour fixer de manière sûre l'angle de coupe en biseau sélectionné. Immobilisez la pièce avec un étau. Mettez l'outil sous tension alors que la lame n'entre en contact avec aucune surface, et attendez qu'elle ait atteint sa pleine vitesse. Abaissez ensuite doucement la poignée sur la position la plus basse tout en appliquant une pression parallèle à la lame. Une fois la coupe terminée, mettez l'outil hors tension et **ATTENDEZ L'ARRÊT COMPLET DE LA LAME** avant de remettre la lame sur sa position la plus élevée.

## ATTENTION :

- Assurez-vous toujours que la lame s'abaisse dans le sens du biseau lors d'une coupe en biseau. Maintenez les mains hors de la ligne de coupe de la lame.
- Lors d'une coupe en biseau, il peut arriver que la pièce coupée vienne s'appuyer contre le côté de la lame. Si la lame est soulevée alors qu'elle tourne encore, il se peut que la pièce soit saisie par la lame et que cela provoque une dangereuse projection de fragments. La lame doit être soulevée **UNIQUEMENT** après s'être complètement arrêtée.
- Lorsque vous abaissez la poignée, appliquez une pression parallèle à la lame. Si la pression n'est pas appliquée de manière parallèle à la lame pendant la coupe, il se peut que l'angle de coupe dérive, affectant la précision de la coupe.
- Lors des coupes en biseau du côté gauche, placez toujours le garde auxiliaire sur la position de gauche.

## Coupe mixte

La coupe mixte consiste à appliquer un angle de coupe en biseau simultanément à l'exécution d'une coupe d'onglet sur une pièce. La coupe mixte peut être effectuée sur les angles indiqués dans le tableau.

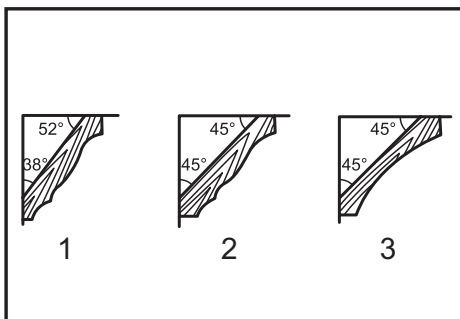
Angle de coupe en biseau	Angle de coupe d'onglet
45°	Gauche et droite 0° à 45°

Pour effectuer une coupe mixte, référez-vous aux explications des sections "Coupe de petites pièces", "Coupe d'onglet" et "Coupe en biseau".

## Coupe de moulures couronnées et concaves

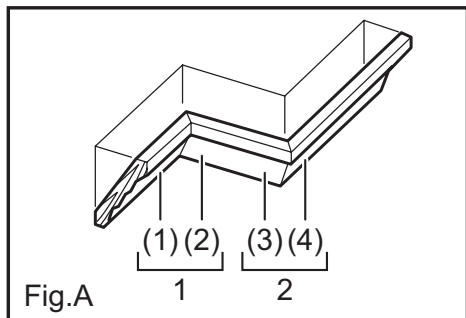
Les moulures couronnées et concaves peuvent être coupées avec une scie d'onglet combinée, en les déposant à plat sur le socle rotatif.

Il existe deux types communs de moulures couronnées et un type de moulure concave, à savoir : les moulures couronnées pour angles de murs respectifs de 52/38° et 45°, et les moulures concaves pour angle de mur de 45°. Voir les illustrations.

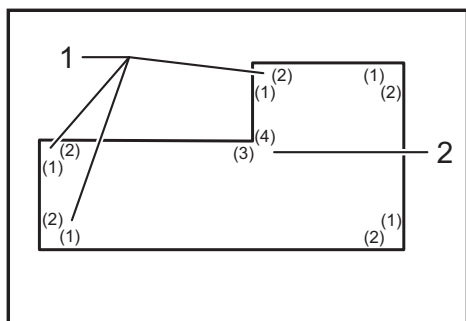


- ▶ 1. Moulure couronnée du type 52/38° 2. Moulure couronnée du type 45° 3. Moulure concave du type 45°

Il existe des joints de moulures couronnées et concaves qui s'adaptent aux coins "intérieurs" de 90° ((1) et (2) sur la Fig. A), et aux coins "extérieurs" de 90° ((3) et (4) sur la Fig. A).



1. Coin intérieur 2. Coin extérieur



► 1. Coin intérieur 2. Coin extérieur

### Mesure

Mesurez la longueur du mur et ajustez la pièce sur l'établi pour couper à la longueur désirée le bord qui entrera en contact avec le mur. Assurez-vous toujours que la longueur de la pièce coupée **à l'arrière de la pièce** correspond à celle du mur. Ajustez la longueur de coupe selon l'angle de coupe. Vérifiez toujours les angles de coupe de la scie en effectuant des tests sur quelques morceaux.

Lorsque vous coupez des moulures couronnées et concaves, réglez l'angle de coupe en biseau et l'angle de coupe d'onglet tel qu'indiqué dans le tableau (A) et placez les moulures sur la face supérieure de la base de la scie, tel qu'indiqué dans le tableau (B).

Tableau (A)

	Position de moulure sur la Fig. A	Angle de coupe en biseau		Angle de coupe d'onglet	
		Type 52/38°	Type 45°	Type 52/38°	Type 45°
Pour coin intérieur	(1)	Gauche 33,9°	Gauche 30°	Droite 31,6°	Droite 35,3°
	(2)				
Pour coin extérieur	(3)			Gauche 31,6°	Gauche 35,3°
	(4)			Droite 31,6°	Droite 35,3°

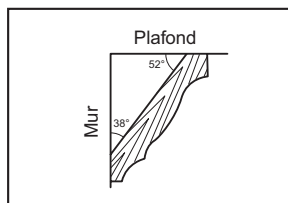
Tableau (B)

	Position de moulure sur la Fig. A	Bord de moulure contre le garde de guidage	Pièce terminée
Pour coin intérieur	(1)	Le bord de contact avec le plafond doit être contre le garde de guidage.	La pièce terminée sera du côté gauche de la lame.
	(2)	Le bord de contact avec le mur doit être contre le garde de guidage.	
Pour coin extérieur	(3)		La pièce terminée sera du côté droit de la lame.
	(4)	Le bord de contact avec le plafond doit être contre le garde de guidage.	

EXEMPLE Dans le cas d'une coupe de moulure couronnée du type 52/38° pour la position (1) de la Fig. A :

- Inclinez l'angle de coupe en biseau et immobilisez-le sur 33.9° vers la GAUCHE.
- Réglez l'angle de coupe d'onglet et immobilisez-le sur 31.6° vers la DROITE.
- Déposez sur le socle rotatif la moulure couronnée, face large (cachée) orientée vers le bas, et en plaçant le BORD DE CONTACT AVEC LE PLAFOND contre le garde de guidage de la scie.
- La pièce terminée à utiliser doit toujours être du côté GAUCHE de la lame une fois la coupe terminée.

Scie à coupe d'onglet mixte  
Réglages de l'angle de coupe d'onglet et de  
l'angle de coupe en biseau



000031

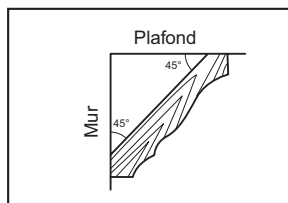
Angle de mur à la moulure couronnée: 52/38 degrés

Angle de mur (deg.)	Angle de coupe en biseau (deg.)	Angle de coupe d'onglet (deg.)
60	43,0	46,8
61	42,8	46,3
62	42,5	45,7
63	42,2	45,1
64	41,9	44,6
65	41,7	44,0
66	41,4	43,5
67	41,1	42,9
68	40,8	42,4
69	40,5	41,9
70	40,2	41,3
71	39,9	40,8
72	39,6	40,3
73	39,3	39,8
74	39,0	39,2
75	38,7	38,7
76	38,4	38,2
77	38,1	37,7
78	37,8	37,2
79	37,4	36,8
80	37,1	36,3
81	36,8	35,8
82	36,5	35,3
83	36,2	34,8
84	35,8	34,4
85	35,5	33,9
86	35,2	33,4
87	34,9	33,0
88	34,5	32,5
89	34,2	32,1
90	33,9	31,6
91	33,5	31,2
92	33,2	30,7
93	32,8	30,3
94	32,5	29,9
95	32,2	29,4
96	31,8	29,0
97	31,5	28,6
98	31,1	28,2
99	30,8	27,7
100	30,4	27,3

Angle de mur (deg.)	Angle de coupe en biseau (deg.)	Angle de coupe d'onglet (deg.)
101	30,1	26,9
102	29,7	26,5
103	29,4	26,1
104	29,0	25,7
105	28,7	25,3
106	28,3	24,9
107	28,0	24,5
108	27,6	24,1
109	27,2	23,7
110	26,9	23,3
111	26,5	22,9
112	26,1	22,6
113	25,8	22,2
114	25,4	21,8
115	25,0	21,4
116	24,7	21,0
117	24,3	20,7
118	23,9	20,3
119	23,6	19,9
120	23,2	19,6
121	22,8	19,2
122	22,5	18,8
123	22,1	18,5
124	21,7	18,1
125	21,3	17,8
126	21,0	17,4
127	20,6	17,1
128	20,2	16,7
129	19,8	16,4
130	19,5	16,0
131	19,1	15,7
132	18,7	15,3
133	18,3	15,0
134	17,9	14,6
135	17,6	14,3
136	17,2	14,0
137	16,8	13,6
138	16,4	13,3
139	16,0	13,0
140	15,6	12,8

Angle de mur (deg.)	Angle de coupe en biseau (deg.)	Angle de coupe d'onglet (deg.)
141	15,3	12,3
142	14,9	12,0
143	14,5	11,6
144	14,1	11,3
145	13,7	11,0
146	13,3	10,7
147	12,9	10,3
148	12,5	10,0
149	12,2	9,7
150	11,8	9,4
151	11,4	9,0
152	11,0	8,7
153	10,8	8,4
154	10,2	8,1
155	9,8	7,8
156	9,4	7,5
157	9,0	7,1
158	8,6	6,8
159	8,3	6,5
160	7,9	6,2
161	7,5	5,9
162	7,1	5,6
163	6,7	5,3
164	6,3	4,9
165	5,9	4,6
166	5,5	4,3
167	5,1	4,0
168	4,7	3,7
169	4,3	3,4
170	3,9	3,1
171	3,5	2,8
172	3,2	2,5
173	2,8	2,2
174	2,4	1,8
175	2,0	1,5
176	1,6	1,2
177	1,2	0,9
178	0,8	0,6
179	0,4	0,3
180	0,0	0,0

Scie à coupe d'onglet mixte  
Réglages de l'angle de coupe d'onglet et de  
l'angle de coupe en biseau



000032

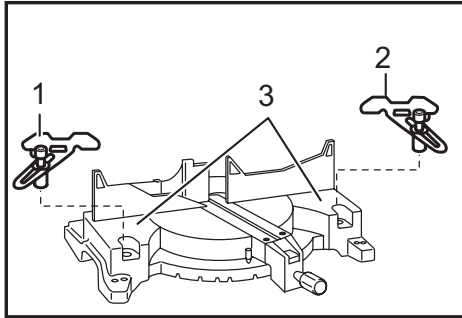
Angle de mur à la moulure couronnée: 45 degrés

Angle de mur (deg.)	Angle de coupe en biseau (deg.)	Angle de coupe d'onglet (deg.)
60	37,8	50,8
61	37,5	50,2
62	37,3	49,6
63	37,1	49,1
64	36,8	48,5
65	36,6	48,0
66	36,4	47,4
67	36,1	46,9
68	35,9	46,4
69	35,6	45,8
70	35,4	45,3
71	35,1	44,8
72	34,9	44,2
73	34,6	43,7
74	34,4	43,2
75	34,1	42,7
76	33,9	42,1
77	33,6	41,6
78	33,3	41,1
79	33,1	40,6
80	32,8	40,1
81	32,5	39,6
82	32,3	39,1
83	32,0	38,6
84	31,7	38,1
85	31,4	37,7
86	31,1	37,2
87	30,9	36,7
88	30,6	36,2
89	30,3	35,7
90	30,0	35,3
91	29,7	34,8
92	29,4	34,3
93	29,1	33,9
94	28,8	33,4
95	28,5	32,9
96	28,2	32,5
97	27,9	32,0
98	27,6	31,6
99	27,3	31,1
100	27,0	30,7

Angle de mur (deg.)	Angle de coupe en biseau (deg.)	Angle de coupe d'onglet (deg.)
101	26,7	30,2
102	26,4	29,8
103	26,1	29,4
104	25,8	28,9
105	25,5	28,5
106	25,2	28,1
107	24,9	27,6
108	24,6	27,2
109	24,2	26,8
110	23,9	26,3
111	23,6	25,9
112	23,3	25,5
113	23,0	25,1
114	22,7	24,7
115	22,3	24,3
116	22,0	23,8
117	21,7	23,4
118	21,4	23,0
119	21,0	22,6
120	20,7	22,2
121	20,4	21,8
122	20,0	21,4
123	19,7	21,0
124	19,4	20,6
125	19,1	20,2
126	18,7	19,8
127	18,4	19,4
128	18,1	19,0
129	17,7	18,6
130	17,4	18,2
131	17,1	17,9
132	16,7	17,5
133	16,4	17,1
134	16,0	16,7
135	15,7	16,3
136	15,4	15,9
137	15,0	15,6
138	14,7	15,2
139	14,3	14,8
140	14,0	14,4

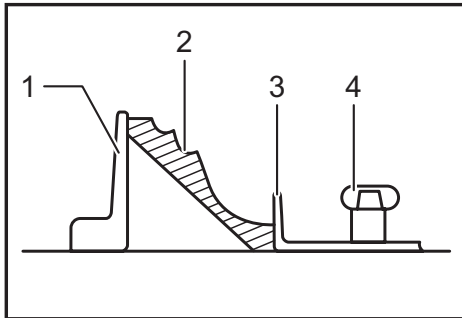
Angle de mur (deg.)	Angle de coupe en biseau (deg.)	Angle de coupe d'onglet (deg.)
141	13,7	14,1
142	13,3	13,7
143	13,0	13,3
144	12,6	12,9
145	12,3	12,6
146	11,9	12,2
147	11,6	11,8
148	11,2	11,5
149	10,9	11,1
150	10,5	10,7
151	10,2	10,4
152	9,8	10,0
153	9,5	9,6
154	9,2	9,3
155	8,8	8,9
156	8,5	8,5
157	8,1	8,2
158	7,8	7,8
159	7,4	7,5
160	7,1	7,1
161	6,7	6,7
162	6,4	6,4
163	6,0	6,0
164	5,6	5,7
165	5,3	5,3
166	4,9	5,0
167	4,6	4,6
168	4,2	4,3
169	3,9	3,9
170	3,5	3,5
171	3,2	3,2
172	2,8	2,8
173	2,5	2,5
174	2,1	2,1
175	1,8	1,8
176	1,4	1,4
177	1,1	1,1
178	0,7	0,7
179	0,4	0,4
180	0,0	0,0

Les butées de moulure couronnée (accessoires en option) facilitent les coupes de moulure couronnée sans inclinaison de la lame. Installez-les sur le socle rotatif de la façon indiquée sur les illustrations.



► 1. Butée de moulure couronnée de gauche 2. Butée de moulure couronnée de droite 3. Base

Placez la moulure couronnée avec le BORD DE CONTACT AVEC LE MUR contre le garde de guidage et le BORD DE CONTACT AVEC LE PLAFOND contre les butées de moulure couronnée, tel qu'indiqué sur l'illustration. Ajustez les butées de moulure couronnée suivant la taille de la moulure couronnée. Serrez les vis pour fixer les butées de moulure couronnée. Référez-vous au tableau (C) pour l'angle de coupe d'onglet.

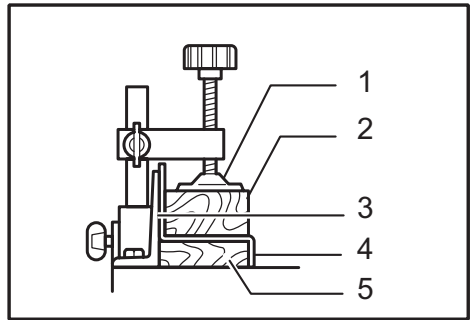


► 1. Garde de guidage 2. Moulure couronnée 3. Butée de moulure couronnée 4. Vis

Tableau (C)

	Position sur la Fig. A	Angle de coupe d'onglet	Pièce terminée
Pour coin intérieur	(1)	Droite 45°	Conservier la pièce à droite de la lame
	(2)	Gauche 45°	Conservier la pièce à gauche de la lame
Pour coin extérieur	(3)	Gauche 45°	Conservier la pièce à droite de la lame
	(4)	Droite 45°	Conservier la pièce à gauche de la lame

## Coupe de profilés d'aluminium



► 1. Étau 2. Cale d'espacement 3. Garde de guidage 4. Profilé d'aluminium 5. Cale d'espacement

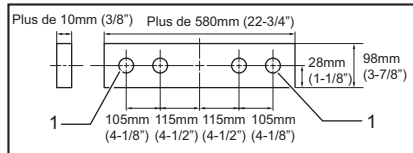
Lorsque vous immobilisez des profilés d'aluminium, utilisez des cales d'espacement ou des bouts de ferraille, tel qu'indiqué sur l'illustration, pour prévenir la déformation de l'aluminium. Utilisez un lubrifiant de coupe lorsque vous coupez un profilé d'aluminium, pour prévenir l'accumulation de particules d'aluminium sur la lame.

### ⚠ ATTENTION :

- N'essayez jamais de couper des profilés d'aluminium épais ou ronds. Il se peut que les profilés d'aluminium se desserrent pendant la coupe, et il n'est pas possible de serrer fermement les profilés d'aluminium ronds avec cet outil.

## Parement de bois

L'utilisation d'un parement de bois favorise l'obtention de pièces coupées sans fente. Fixez un parement de bois au garde de guidage en utilisant les orifices de ce dernier. Voir l'illustration des dimensions suggérées pour le parement de bois.

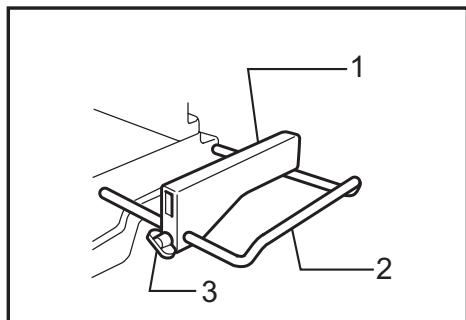


► 1. Orifice

### ⚠ ATTENTION :

- Utilisez une planche de bois rectiligne dont l'épaisseur est la même que le parement de bois.
- Utilisez des vis pour fixer le parement de bois au garde de guidage. Les vis doivent être posées de sorte que leurs têtes se trouvent sous la surface du parement de bois.
- Lorsqu'un parement de bois est fixé, ne tournez pas le socle rotatif alors que la poignée est abaissée. La lame et/ou le parement de bois subirait des dommages.

## Coupes répétées de longueur identique



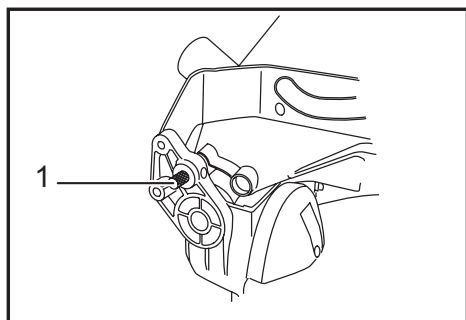
► 1. Plaque de fixation 2. Support 3. Vis

Lorsque vous coupez plusieurs pièces d'une même longueur à l'intérieur d'une plage de 295 mm (11 - 5/8") à 440 mm (17 - 1/4"), l'utilisation de la plaque de fixation (accessoire en option) favorise l'efficacité accrue du travail. Installez la plaque de fixation sur le support (accessoire en option) de la façon indiquée sur l'illustration. Alignez la ligne de coupe tracée sur la pièce avec le côté gauche ou droit de la rainure pratiquée dans le plateau de découpe, et tout en empêchant la pièce de bouger, déplacez la plaque de fixation pour qu'elle s'aligne parfaitement sur l'extrémité de la pièce. Immobilisez ensuite la plaque de fixation avec le vis. Lorsque vous n'utilisez pas la plaque de fixation, desserrez la vis et dégagez la plaque en la tournant.

### NOTE :

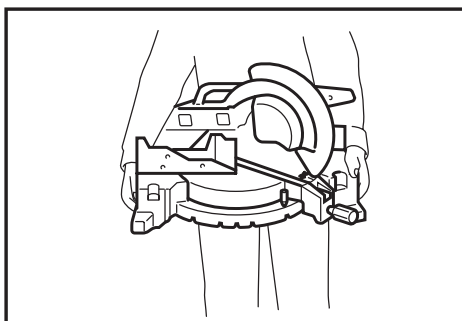
- L'utilisation de l'ensemble support-tige (accessoire en option) permet des coupes répétées d'une longueur identique pouvant aller jusqu'à environ 2,200 mm (7.2 ft.).

## Transport de l'outil



► 1. Broche de blocage

Assurez-vous que l'outil est débranché. Fixez la lame sur un angle de coupe en biseau de 0° et le socle rotatif sur l'angle de coupe d'onglet maximal vers la droite. Abaissez complètement la poignée et verrouillez-la en position basse en enfonçant la broche de blocage. Saisissez l'outil par les deux côtés de sa base pour le transporter, comme indiqué sur l'illustration. L'outil sera plus facile à transporter si vous retirez les supports, le sac à poussières, etc.



### ATTENTION :

- Avant de transporter l'outil, immobilisez d'abord toutes ses pièces mobiles.
- La broche de blocage est conçue exclusivement pour le transport et le rangement de l'outil, et ne doit être utilisée pour aucun travail de coupe.

## ENTRETIEN

### ATTENTION :

- Assurez-vous toujours que l'outil est hors tension et débranché avant d'y effectuer tout travail d'inspection ou d'entretien.

### MISE EN GARDE :

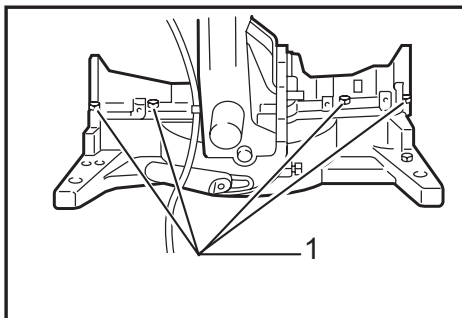
- Assurez-vous toujours que la lame est bien affûtée et propre pour assurer un rendement optimal et la sécurité.

**AVIS : N'utilisez jamais d'essence, de benzine, de solvant, d'alcool ou autres produits similaires. Une décoloration, une déformation ou la formation de fissures peuvent en découler.**

## Réglage de l'angle de coupe

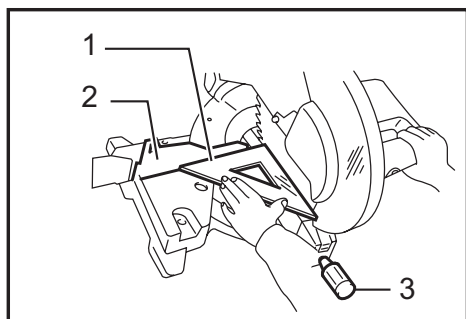
L'outil est soigneusement réglé et aligné en usine, mais cet alignement peut être éventuellement affecté s'il est manipulé avec brutalité. Si l'outil n'est pas bien aligné, suivez la procédure suivante :

### Angle de coupe d'onglet



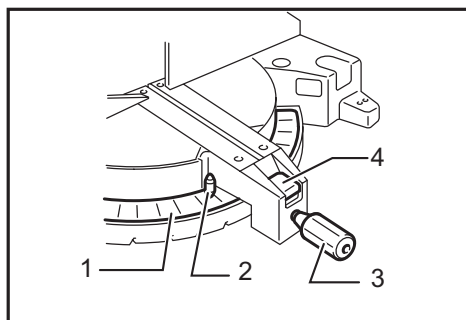
► 1. Boulon hexagonal

Desserrez le manche qui retient le socle rotatif. Tournez le socle rotatif jusqu'à ce que le pointeur indique 0° sur l'échelle de coupe d'onglet. Tournez ensuite le socle rotatif légèrement dans le sens des aiguilles d'une montre et dans le sens contraire pour asseoir le socle rotatif dans l'encoche d'onglet de 0°. (Laissez-le tel quel si le pointeur n'est pas sur 0°.) À l'aide de la clé hexagonale, desserrez les boulons hexagonaux qui immobilisent le garde de guidage. Descendez complètement la poignée et verrouillez-la en position abaissée en enfonçant le broche de blocage. Placez le côté de la lame à angle droit par rapport à la face du garde de guidage à l'aide d'une règle triangulaire, d'une équerre de menuisier, etc. Serrez ensuite fermement les boulons hexagonaux sur le garde de guidage, dans l'ordre, à partir du côté droit.



► 1. Règle triangulaire 2. Garde de guidage  
3. Poignée

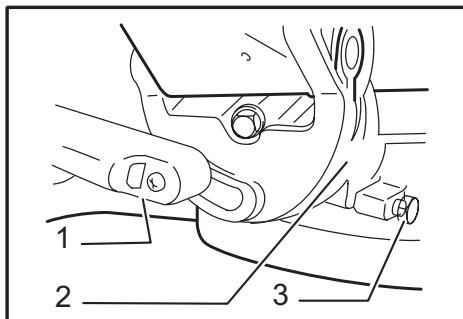
Assurez-vous que le pointeur indique 0° sur l'échelle de coupe d'onglet. Si le pointeur n'indique pas 0°, desserrez la vis qui retient le pointeur et réglez le pointeur de sorte qu'il indique 0°.



► 1. Échelle de coupe d'onglet 2. Index 3. Poignée  
4. Levier de verrouillage

## Angle de coupe en biseau

### Angle de coupe en biseau 0°

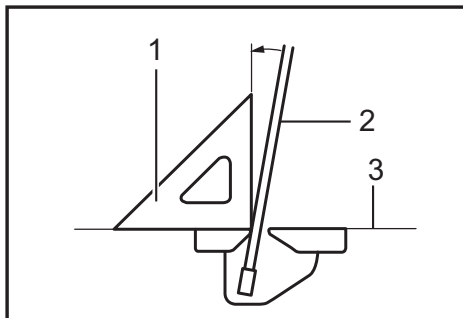


► 1. Levier 2. Socle rotatif 3. Boulon de réglage de l'angle de coupe en biseau 0°

Abaissez complètement la poignée et verrouillez-la en position basse en enfonçant la broche de blocage. Desserrez le levier à l'arrière de l'outil.

Pour incliner la lame vers la droite, tournez de deux ou trois tours en sens inverse des aiguilles d'une montre le boulon de réglage de l'angle de coupe en biseau 0° du côté gauche du bras.

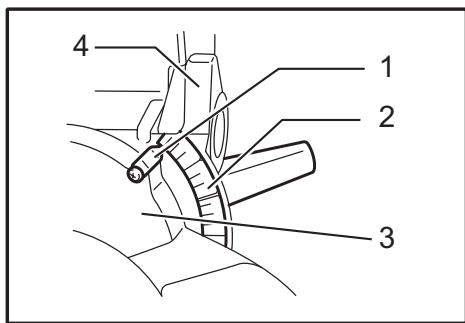
Placez soigneusement le côté de la lame à angle droit par rapport à la surface supérieure du socle rotatif au moyen d'une règle triangulaire, d'une équerre de menuisier, etc., en tournant dans le sens des aiguilles d'une montre le boulon de réglage de l'angle de coupe en biseau 0°. Serrez ensuite le levier fermement.



► 1. Règle triangulaire 2. Lame 3. Face supérieure du socle rotatif

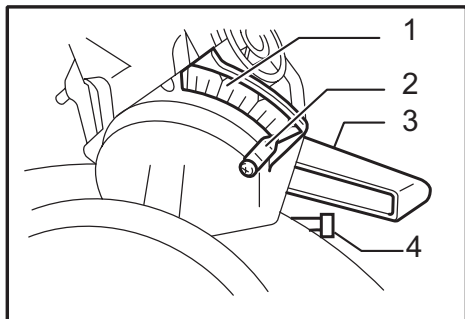
Assurez-vous que le pointeur du socle rotatif indique 0° sur l'échelle de coupe en biseau du bras. S'il n'indique pas 0°, desserrez la vis qui retient le pointeur et réglez-le de sorte qu'il indique 0°.





► 1. Index 2. Échelle de coupe en biseau 3. Socle rotatif 4. Bras

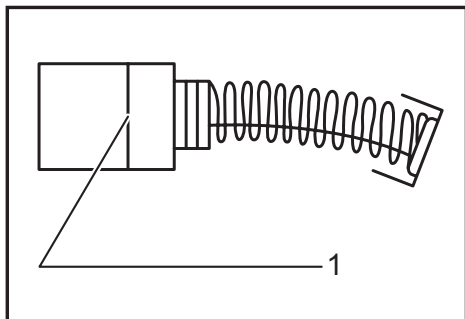
### Angle de coupe en biseau 45°



► 1. Échelle de coupe en biseau 2. Index 3. Levier 4. Boulon de réglage de l'angle de coupe en biseau 45°

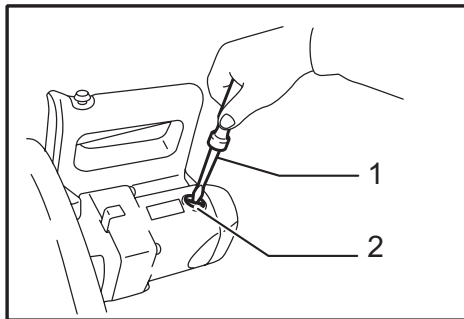
N'ajustez l'angle de coupe en biseau 45° qu'après avoir ajusté l'angle de coupe en biseau 0°. Pour ajuster l'angle de coupe en biseau 45°, desserrez le levier et inclinez complètement la lame vers la gauche. Assurez-vous que le pointeur du socle rotatif indique 45° sur l'échelle de coupe en biseau du bras. Si le pointeur n'indique pas 45°, tournez le boulon de réglage de l'angle de coupe en biseau 45° du côté droit du bras jusqu'à ce que le pointeur indique 45°.

### Remplacement des charbons



► 1. Trait de limite d'usure

Retirez et vérifiez régulièrement les charbons. Remplacez-les lorsqu'ils sont usés jusqu'au trait de limite d'usure. Maintenez les charbons propres et en état de glisser aisément dans les porte-charbon. Les deux charbons doivent être remplacés en même temps. N'utilisez que des charbons identiques. Utilisez un tournevis pour retirer les bouchons de porte-charbon. Enlevez les charbons usés, insérez-en de nouveaux et revissez solidement les bouchons de porte-charbon.



► 1. Tournevis 2. Bouchon de porte-charbon

Après avoir remplacé les charbons, branchez l'outil et rodez les brosses en faisant fonctionner l'outil à vide pendant environ 10 minutes. Vérifiez ensuite le bon fonctionnement de l'outil, ainsi que l'activation du frein électrique lors du relâchement de la gâchette. Si le frein électrique ne fonctionne pas bien, faites une demande de réparation auprès du centre de service après-vente Makita le plus près.

### Après l'utilisation

- Après l'utilisation, essuyez les copeaux et poussières qui adhèrent à l'outil au moyen d'un linge ou d'un objet similaire. Maintenez le protecteur de lame propre en respectant les instructions de la section précédente intitulée "Protecteur de lame." Pour prévenir la rouille, lubrifiez les pièces mobiles avec de l'huile pour machine.

Pour maintenir la SÉCURITÉ et la FIABILITÉ du produit, les réparations, tout autre travail d'entretien ou de réglage doivent être effectués dans un centre de service Makita agréé ou un centre de service de l'usine Makita, exclusivement avec des pièces de rechange Makita.

# ACCESSOIRES EN OPTION

**⚠ MISE EN GARDE :** Ces accessoires ou pièces complémentaires Makita sont recommandés pour l'utilisation avec l'outil Makita spécifié dans ce manuel. L'utilisation de tout autre accessoire ou pièce complémentaire peut entraîner une grave blessure.

**⚠ MISE EN GARDE :** N'utilisez les accessoires ou pièces complémentaires Makita qu'aux fins auxquelles ils ont été conçus. L'utilisation inadéquate d'un accessoire ou d'une pièce complémentaire peut entraîner une grave blessure.

Si vous désirez obtenir plus de détails concernant ces accessoires, veuillez contacter le centre de service après-vente Makita le plus près.

- Lames à dents d'acier et de carbure de tungstène (Reportez-vous à notre site Web ou contactez votre détaillant Makita local pour savoir quelles sont les bonnes lames de scie à utiliser suivant le matériau à couper.)
- Ensemble étau (étau horizontal)
- Étau vertical
- Clé hexagonale
- Jeu de support
- Butée
- Ensemble de support-tige
- Plaque de fixation
- Sac à poussières
- Coude
- Jeu de butée de moulure couronnée
- Règle triangulaire

## NOTE :

- Certains éléments de la liste peuvent être inclus avec l'outil comme accessoires standard. Ils peuvent varier suivant les pays.

## GARANTIE LIMITÉE MAKITA

Pour les conditions de garantie en vigueur qui s'appliquent à ce produit, veuillez vous reporter à la feuille de garantie en annexe. Si la feuille de garantie en annexe n'est pas disponible, reportez-vous aux détails de la garantie présentés sur le site Web de votre pays, ci-dessous.

États-Unis d'Amérique: [www.makitatools.com](http://www.makitatools.com)

Canada: [www.makita.ca](http://www.makita.ca)

Autres pays: [www.makita.com](http://www.makita.com)

## ESPECIFICACIONES

Modelo	LS1221
Especificaciones eléctricas en México	120 V ~ 15 A 50/60 Hz
Diámetro del disco	305 mm (12")
Ángulo de bisel máximo	25,4 mm (1")
Ancho de corte máx. del disco de la sierra	3,2 mm (1/8")
Ángulo de inglete máximo	Izquierda 48° , Derecha 48°
Ángulo de bisel máximo	Izquierda 45°
Revoluciones por minuto (r.p.m.)	4 000 r/min
Dimensiones (L x A x A)	674 mm x 610 mm x 607 mm (26-1/2" x 24" x 23-7/8")
Peso neto	17,3 kg (38,2 libras)

- Debido a nuestro programa continuo de investigación y desarrollo, las especificaciones aquí dadas están sujetas a cambios sin previo aviso.
- Las especificaciones pueden variar de país a país.
- Peso de acuerdo con el procedimiento 01/2014 de EPTA

### Capacidades de corte máximas (Al x An)

Ángulo de bisel	Ángulo de inglete	
	0°	45° (izquierda y derecha)
0°	98 mm x 153 mm (3-7/8" x 6")	98 mm x 107 mm (3-7/8" x 4-1/4")
	63,5 mm x 203 mm (2-1/2" x 8")	63,5 mm x 143 mm (2-1/2" x 5-5/8")
45° (Izquierda)	70 mm x 149 mm (2-3/4" x 5-7/8")	44,5 mm x 130 mm (*Izquierda) (1-3/4" x 5-1/8")
	44,5 mm x 200 mm (1-3/4" x 7-7/8")	44,5 mm x 140 mm (**Derecha) (1-3/4" x 5-1/2")

## ADVERTENCIAS DE SEGURIDAD

### Advertencias generales de seguridad para herramientas eléctricas

**⚠ ADVERTENCIA:** Lea todas las advertencias de seguridad, instrucciones, ilustraciones y especificaciones suministradas con esta herramienta eléctrica. El no seguir todas las instrucciones indicadas a continuación podría ocasionar una descarga eléctrica, incendio y/o lesiones graves.

### Conserve todas las advertencias e instrucciones como referencia en el futuro.

En las advertencias, el término "herramienta eléctrica" se refiere a su herramienta eléctrica de funcionamiento con conexión a la red eléctrica (con cableado eléctrico) o herramienta eléctrica de funcionamiento a batería (inalámbrica).

### Seguridad en el área de trabajo

1. **Mantenga el área de trabajo limpia y bien iluminada.** Las áreas oscuras o desordenadas son propensas a accidentes.
2. **No utilice las herramientas eléctricas en atmósferas explosivas, tal como en la presencia de líquidos, gases o polvo inflamables.** Las herramientas eléctricas crean chispas que pueden prender fuego al polvo o los humos.
3. **Mantenga a los niños y espectadores alejados mientras utiliza una herramienta eléctrica.** Las distracciones le pueden hacer perder el control.

### Seguridad eléctrica

1. **Las clavijas de las herramientas eléctricas deben encajar perfectamente en la toma de corriente. Nunca modifique la clavija en ninguna forma. No utilice ninguna clavija adaptadora con herramientas eléctricas que tengan conexión a tierra (puesta a tierra).** El uso de clavijas no modificadas y que encajen perfectamente en la toma de corriente reducirá el riesgo de que se produzca una descarga eléctrica.
2. **Evite el contacto del cuerpo con superficies conectadas a tierra o puestas a tierra tales como tubos, radiadores, cocinas y refrigeradores.** Si su cuerpo es puesto a tierra o conectado a tierra existirá un mayor riesgo de que sufra una descarga eléctrica.

3. **No exponga las herramientas eléctricas a la lluvia ni a condiciones de humedad.** La entrada de agua en una herramienta eléctrica aumentará el riesgo de que se produzca una descarga eléctrica.
4. **No maltrate el cable. Nunca utilice el cable para transportar, jalar o desconectar la herramienta eléctrica.** Mantenga el cable alejado del calor, el aceite, los bordes filosos o las piezas móviles. Los cables dañados o enredados aumentan el riesgo de que se produzca una descarga eléctrica.
5. **Cuando use una herramienta eléctrica en exteriores, utilice un cable de extensión apropiado para uso en exteriores.** El uso de un cable apropiado para uso en exteriores reducirá el riesgo de que se produzca una descarga eléctrica.
6. **Si no es posible evitar usar una herramienta eléctrica en condiciones de humedad, utilice un suministro protegido con dispositivo de corriente residual (DCR).** El uso de un DCR reduce el riesgo de una descarga eléctrica.
7. **Las herramientas eléctricas pueden producir campos electromagnéticos (CEM) que no son dañinos para el usuario.** Sin embargo, si los usuarios tienen marcapasos y otros dispositivos médicos similares, deberán consultar al fabricante de su dispositivo y/o a su médico antes de operar esta herramienta eléctrica.
8. **No toque la clavija de conexión con las manos húmedas.**
9. **Si el cable está dañado, solicite al fabricante o a su representante que lo reemplace para evitar un riesgo relacionado con la seguridad.**
6. **Use una vestimenta apropiada. No use ropa suelta ni alhajas. Mantenga el cabello, la ropa y los guantes alejados de las piezas móviles.** Las prendas de vestir holgadas, las alhajas y el cabello largo suelto podrían engancharse en estas piezas móviles.
7. **Si dispone de dispositivos para la conexión de equipos de extracción y recolección de polvo, asegúrese de conectarlos y utilizarlos debidamente.** El uso de estos dispositivos reduce los riesgos relacionados con el polvo.
8. **No permita que la familiaridad adquirida debido al uso frecuente de las herramientas haga que se sienta confiado e ignore los principios de seguridad de las herramientas.** Un descuido podría ocasionar una lesión grave en una fracción de segundo.
9. **Utilice siempre gafas protectoras para proteger sus ojos de lesiones al usar herramientas eléctricas. Las gafas deben cumplir con la Norma ANSI Z87.1 en EUA.** Es responsabilidad del empleador imponer el uso de equipos protectores de seguridad apropiados a los operadores de la herramienta y demás personas cerca del área de trabajo.

#### Mantenimiento y uso de la herramienta eléctrica

#### Seguridad personal

1. **Manténgase alerta, preste atención a lo que está haciendo y utilice su sentido común cuando opere una herramienta eléctrica. No utilice la herramienta eléctrica cuando esté cansado o bajo la influencia de drogas, alcohol o medicamentos.** Un momento de distracción mientras opera las herramientas eléctricas podría ocasionar lesiones personales graves.
2. **Use equipo de protección personal. Utilice siempre protección para los ojos.** Un equipo protector tal como máscara contra el polvo, zapatos de seguridad antiderrapantes, casco rígido y protección para oídos utilizado en las condiciones apropiadas reducirá las lesiones personales.
3. **Evite un arranque accidental. Asegúrese de que el interruptor esté en la posición de apagado antes de conectar a la alimentación eléctrica y/o colocar el paquete de baterías, así como al levantar o transportar la herramienta.** Transportar las herramientas eléctricas con su dedo en el interruptor o enchufarlas con el interruptor encendido podría ocasionar accidentes.
4. **Retire cualquier llave de ajuste o llave de apriete antes de encender la herramienta.** Una llave de ajuste o llave de apriete que se haya dejado puesta en una pieza giratoria de la herramienta eléctrica podría ocasionar lesiones personales.
5. **No utilice la herramienta donde no alcance. Mantenga los pies sobre suelo firme y el equilibrio en todo momento.** Esto permitirá tener un mejor control sobre la herramienta eléctrica en situaciones inesperadas.
1. **No fuerce la herramienta eléctrica. Utilice la herramienta eléctrica correcta para su aplicación.** La herramienta eléctrica correcta hará un mejor trabajo de manera más segura a la velocidad para la que fue diseñada.
2. **No utilice la herramienta eléctrica si el interruptor no la enciende ni apaga.** Cualquier herramienta eléctrica que no pueda ser controlada con el interruptor es peligrosa y deberá ser reparada.
3. **Desconecte la clavija de la fuente de alimentación y/o retire la BATERÍA de la herramienta eléctrica, en caso de ser removible, antes de realizar ajustes, cambiar accesorios o almacenar las herramientas eléctricas.** Tales medidas de seguridad preventivas reducirán el riesgo de poner en marcha la herramienta eléctrica de forma accidental.
4. **Almacene las herramientas eléctricas cuando no se vayan a utilizar fuera del alcance de los niños y no permita que las personas que no estén familiarizadas con ellas o con las instrucciones las operen.** Las herramientas eléctricas son peligrosas en manos de usuarios inexpertos.
5. **Dé mantenimiento a las herramientas eléctricas y los accesorios. Compruebe que no haya piezas móviles desalineadas o estancadas, piezas rotas y cualquier otra condición que pueda afectar al funcionamiento de la herramienta eléctrica. Si la herramienta eléctrica está dañada, haga que la reparen antes de utilizarla.** Muchos de los accidentes son ocasionados por herramientas eléctricas que no han recibido un mantenimiento adecuado.
6. **Mantenga las herramientas de corte limpias y afiladas.** Las herramientas de corte que reciben un mantenimiento adecuado y tienen los bordes afilados tienen una menor probabilidad de quedar atascadas y son más fáciles de controlar.

7. **Utilice la herramienta eléctrica, así como los accesorios y puntas, etc. de acuerdo con estas instrucciones, tomando en cuenta las condiciones laborales y el trabajo a realizar.** Si utiliza la herramienta eléctrica para realizar operaciones distintas de las indicadas, podría presentarse una situación peligrosa.
8. **Mantenga las empuñaduras y superficies de asiento secas, limpias y libres de aceite o grasa.** Las empuñaduras y superficies de asiento resbalosas no permiten una manipulación segura ni el control de la herramienta en situaciones inesperadas.
9. **Cuando vaya a utilizar esta herramienta, evite usar guantes de trabajo de tela ya que éstos podrían atorarse.** Si los guantes de trabajo de tela llegaran a atorarse en las piezas móviles, esto podría ocasionar lesiones personales.

#### Servicio

1. **Haga que una persona calificada repare la herramienta utilizando sólo piezas de repuesto idénticas.** Esto garantizará que se mantenga la seguridad de la herramienta eléctrica.
2. **Siga las instrucciones para la lubricación y cambio de accesorios.**

Para reducir el riesgo de descarga eléctrica, este equipo cuenta con una clavija polarizada (una pata es más amplia o ancha que la otra). Esta clavija encajará perfectamente en una toma de corriente polarizada solamente de una manera. Si la clavija no encaja perfectamente en la toma de corriente, invierta la clavija. Si aun así no encaja, póngase en contacto con un electricista calificado para que le instale una toma de corriente apropiada. No modifique la clavija en ninguna forma.

**ADVERTENCIA SOBRE EL VOLTAJE:** Antes de conectar la herramienta a una fuente de alimentación (receptáculo, toma de corriente, etc.), asegúrese de que el voltaje suministrado sea igual al especificado en la placa de características de la herramienta. Una fuente de alimentación con un voltaje mayor al especificado para la herramienta podría ocasionar LESIONES GRAVES al usuario, así como daños a la herramienta. Si tiene dudas, NO CONECTE LA HERRAMIENTA. El utilizar una fuente de alimentación con un voltaje menor a la capacidad nominal indicada en la placa de características podría causar daños al motor.

**UTILICE CABLES DE EXTENSIÓN APROPIADOS.** Asegúrese de que su cable de extensión esté en buenas condiciones. Cuando utilice un cable de extensión, asegúrese de utilizar uno del calibre suficiente para conducir la corriente que demande el producto. Un cable de calibre inferior ocasionará una caída en la tensión de línea y a su vez una pérdida de potencia y sobrecalentamiento. La tabla 1 muestra la medida correcta a utilizar dependiendo de la longitud del cable y el amperaje nominal indicado en la placa de características. Si no está seguro, utilice el siguiente calibre más alto. Cuanto menor sea el número de calibre, más corriente podrá conducir el cable.

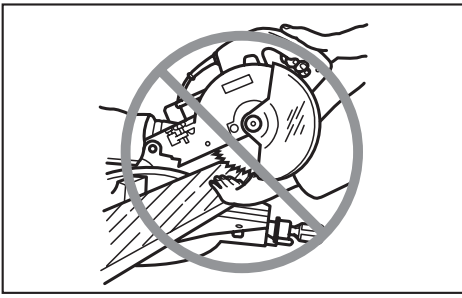
Tabla 1: Calibre mínimo para el cable

Amperaje nominal		Voltios	Longitud total del cable en metros			
			7 m (25 ft.)	15 m (50 ft.)	30 m (100 ft.)	45,7 m (150 ft.)
		120 V ~				
		220 V ~ - 240 V ~	15 m (50 ft.)	30 m (100 ft.)	60,9 m (200 ft.)	91,4 m (300 ft.)
Más de	No más de	Calibre del cable (AWG)				
0 A	6 A	-	18	16	16	14
6 A	10 A		18	16	14	12
10 A	12 A		16	16	14	12
12 A	16 A		14	12	No se recomienda	

### Instrucciones de seguridad para sierras de inglete

1. **Las sierras de inglete están diseñadas para cortar madera o productos parecidos a la madera, éstas no pueden utilizarse con ruedas cortadoras abrasivas para cortar materiales ferrosos tales como barras, varillas, montantes, etc.** El polvo abrasivo causa que las piezas móviles, tal como el protector inferior, se atasquen. Las chispas del corte abrasivo quemarán el protector inferior, el inserto de corte y otras piezas de plástico.
2. **Siempre que sea posible, utilice abrazaderas para sujetar la pieza de trabajo. Si utiliza su mano para sostener la pieza de trabajo, deberá siempre mantenerla a por lo menos 100 mm de distancia de ambos lados del disco de la sierra. No utilice esta sierra para cortar pedazos que sean demasiado pequeños para ser sujetados firmemente con abrazaderas o sostenidos con la mano.** El colocar su mano demasiado cerca del disco de la sierra incrementará el riesgo de lesiones a causa del contacto con el disco.

3. **La pieza de trabajo deberá estar fija y firmemente sujeta o sostenida contra la guía y la mesa. No alimente la pieza de trabajo en el disco ni corte "a pulso" de ninguna manera.** Las piezas de trabajo que no estén sujetas o se muevan podrían salir disparadas a altas velocidades ocasionando lesiones.
4. **Nunca cruce su mano sobre la línea de corte prevista, ni por delante ni por detrás del disco de la sierra.** Nunca sujete la pieza de trabajo con "la mano cruzada", es decir, sosteniendo la pieza de trabajo a la derecha del disco de la sierra con su mano izquierda y viceversa, ya que podría resultar muy peligroso.



5. **No acerque las manos por detrás de la guía a más de 100 mm de distancia de ambos lados del disco de la sierra para extraer restos de madera ni por ninguna otra razón mientras el disco esté girando.** La proximidad entre el disco de la sierra que está girando y su mano podría no ser obvia y ocasionarle una lesión grave.
6. **Inspeccione su pieza de trabajo antes de cortar. Si la pieza de trabajo está doblada o torcida, sujétela con la parte arqueada exterior orientada hacia la guía. Asegúrese siempre de que no haya ningún espacio entre la pieza de trabajo, la guía y la mesa a lo largo de la línea de corte.** Las piezas de trabajo dobladas o torcidas podrían voltearse o desplazarse y causar que el disco de la sierra que está girando se atore mientras corta. En la pieza de trabajo no debe haber clavos ni objetos extraños.
7. **No utilice la sierra hasta que la mesa haya sido despejada y no haya ninguna herramienta, restos de madera, etc., salvo la pieza de trabajo.** Los residuos pequeños o trozos de madera sueltos u otros objetos que estén en contacto con el disco giratorio podrían salir disparados a alta velocidad.
8. **Sólo corte una pieza de trabajo a la vez.** El tener varias piezas de trabajo apiladas no permite sujetarlas o sostenerlas adecuadamente pudiendo ocasionar que se atoraran en el disco o se desplazaran durante el corte.
9. **Asegúrese de que la sierra de inglete esté instalada o colocada sobre una superficie de trabajo nivelada y firme antes de utilizarla.** Una superficie de trabajo nivelada y firme reduce el riesgo de que la sierra de inglete se vuelva inestable.
10. **Planifique su trabajo. Cada vez que cambie la posición del ángulo de bisel o de inglete, asegúrese de que la guía ajustable esté colocada correctamente para sostener la pieza de trabajo y que no obstaculice el disco o el sistema de protección.** Sin encender la herramienta y sin ninguna pieza de trabajo sobre la mesa, desplace el disco de la sierra simulando un corte completo para asegurarse de que no habrá ningún obstáculo ni peligro de cortar la guía.
11. **Proporcione un apoyo adecuado, tal como extensiones para la mesa, caballetes de aserrado, etc. para las piezas de trabajo más anchas o largas que la superficie de la mesa.** Las piezas de trabajo más largas o anchas que la mesa de la sierra de inglete pueden volcarse si no están bien apoyadas. Si la pieza de corte o la pieza de trabajo llegara a volcarse, ésta podría levantar el protector inferior o ser lanzada por el disco que está girando.

12. **No use a otra persona como sustituto de una extensión de la mesa o como apoyo adicional.** Un apoyo inestable para la pieza de trabajo podría causar que el disco se atascara o que la pieza de trabajo se desplazara durante la operación de corte jalándolo a usted y a su ayudante hacia el disco que está girando.
13. **La pieza de corte no debe atascarse ni ser presionada en ninguna forma contra el disco de la sierra que está girando.** Si el espacio es reducido, por ej., al usar topes de longitud, la pieza de corte podría quedar atrapada contra el disco y salir disparada violentamente.
14. **Utilice siempre una abrazadera o algún accesorio diseñado para apoyar adecuadamente materiales redondos tales como varillas o tubos.** Las varillas tienden a rodar mientras se cortan, causando que el disco se "enganche" y jale la pieza de trabajo y su mano hacia el mismo.
15. **Permita que el disco alcance su velocidad completa antes de que entre en contacto con la pieza de trabajo.** Esto reducirá el riesgo de que la pieza de trabajo salga disparada.
16. **Si la pieza de trabajo o el disco llega a atascarse, apague la sierra de inglete. Espere a que todas las piezas móviles se detengan y desconecte la clavija de la fuente de alimentación y/o retire la batería. Luego proceda a liberar el material atascado.** El continuar cortando con una pieza de trabajo atascada podría ocasionar la pérdida de control o causar daños a la sierra de inglete.
17. **Una vez completado el corte, suelte el interruptor, sujete la sierra con la cabeza hacia abajo y espere a que el disco se detenga antes de retirar la pieza de corte.** El acercar su mano al disco mientras éste sigue girando por inercia es peligroso.
18. **Sujete la empuñadura firmemente cuando realice un corte incompleto o cuando suelte el interruptor antes de haber colocado totalmente hacia abajo la cabeza de la sierra.** La acción de frenado de la sierra podría causar que la cabeza de la sierra sea repentinamente jalada hacia abajo pudiendo ocasionar una lesión.
19. **Use solamente un disco de la sierra cuyo diámetro esté marcado en la herramienta o especificado en el manual.** El uso de un disco de tamaño incorrecto puede afectar la protección adecuada del disco o la operación del protector y ocasionar lesiones personales graves.
20. **Utilice únicamente los discos de la sierra marcados con una velocidad igual o mayor a la velocidad marcada en la herramienta.**
21. **Seleccione siempre el disco de la sierra correcto para el material que va a cortar. No utilice el disco de la sierra para cortar otros materiales distintos a los especificados.**
22. **No utilice la sierra para cortar algo que no sea madera, aluminio o materiales similares.**

#### Instrucciones adicionales

1. **Uso pretendido**  
Esta herramienta está diseñada para realizar cortes rectos y en inglete de manera precisa sobre madera. Con los discos de la sierra apropiados también se puede cortar aluminio.




2. Mantenga el taller a prueba de niños usando candados.
3. Nunca se pare sobre la herramienta. El volcar la herramienta o tocar accidentalmente la herramienta de corte podría ocasionar lesiones graves.
4. Nunca deje la herramienta desatendida mientras esté en marcha. Desconecte la alimentación. No deje la herramienta hasta que se haya detenido completamente.
5. No utilice la sierra sin los protectores puestos. Verifique que el protector del disco cierre debidamente antes de cada uso. No utilice la sierra si el protector del disco no se mueve libremente y se cierra instantáneamente. No sujete ni ate el protector del disco en la posición abierta.
6. Mantenga las manos alejadas de la trayectoria del disco de la sierra. Evite el contacto con cualquier disco que esté girando por inercia. Aún puede ocasionarle heridas graves.
7. Asegúrese siempre de que todas las partes móviles se encuentran fijas antes de transportar la herramienta.
8. La clavija de retención que bloquea el cabezal de corte en posición hacia abajo es solamente para transportar y almacenar la herramienta y no para ninguna operación de corte.
9. Inspeccione el disco cuidadosamente para ver si tiene grietas o daños antes de comenzar la operación. Reemplace el disco inmediatamente si está agrietado o dañado. El pegamento y la resina de madera endurecidas en los discos frenan la sierra y aumentan las posibilidades de que se produzcan retrocesos bruscos. Mantenga el disco limpio desmontándolo primero de la herramienta, y limpiándolo después con un producto para quitar pegamento y resina, agua caliente o queroseno. Nunca utilice gasolina para limpiar el disco.
10. Utilice solamente las bridas especificadas para esta herramienta.
11. Tenga cuidado de no dañar el eje, las bridas (especialmente la superficie de instalación) ni el perno. Los daños en estas piezas podrían provocar la ruptura del disco.
12. Asegúrese de que la base giratoria esté debidamente asegurada de forma que no se mueva durante la operación. Utilice los orificios de la base para sujetar la sierra a una plataforma o banco de trabajo estable. NUNCA utilice la herramienta donde la posición del operador vaya a resultar incómoda.
13. Asegúrese de que el bloqueo de eje esté suelto antes de activar el interruptor.
14. Asegúrese de que el disco no esté en contacto con la base giratoria en la posición más baja.
15. Sostenga firmemente la empuñadura. Tenga en cuenta que la sierra se mueve levemente hacia arriba o hacia abajo al iniciar y al detener el funcionamiento.
16. Asegúrese de que el disco no esté haciendo contacto con la pieza de trabajo antes de activar el interruptor.
17. Antes de utilizar la herramienta en una pieza de trabajo definitiva, déjela funcionar durante un rato. Observe si hay vibración o bamboleo que pueda indicar una instalación incorrecta o un desequilibrio del disco.
18. Pare la operación inmediatamente si nota algo anormal.
19. No intente bloquear el gatillo en la posición activada.
20. Utilice los accesorios recomendados en este manual. El uso de accesorios inapropiados tales como discos abrasivos podría ocasionar lesiones.
21. Algunos materiales contienen sustancias químicas que pueden ser tóxicas. Tome precauciones para evitar la inhalación de polvo y el contacto con la piel. Consulte la hoja de seguridad de materiales del proveedor.

## GUARDE ESTAS INSTRUCCIONES.

**⚠ ADVERTENCIA:** NO DEJE que la comodidad o familiaridad con el producto (a base de utilizarlo repetidamente) sustituya la estricta observancia de las normas de seguridad para dicho producto. **EL MAL USO** o el no seguir las normas de seguridad establecidas en este manual de instrucciones puede ocasionar lesiones personales graves.

### Símbolos

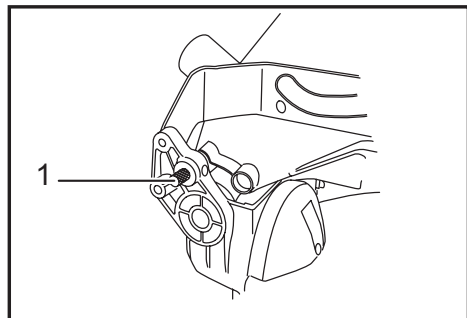
A continuación se muestran los símbolos utilizados para la herramienta.

V	volts o voltios
A	amperes
Hz	hertz
n <sub>o</sub>	velocidad sin carga
~	corriente alterna
	Construcción clase II
... /min r /min	revoluciones o alternaciones por minuto, frecuencia de rotación
	No coloque la mano ni los dedos cerca del disco.
	Para aflojar el perno, gírelo en el sentido de las manecillas del reloj.

# INSTALACIÓN

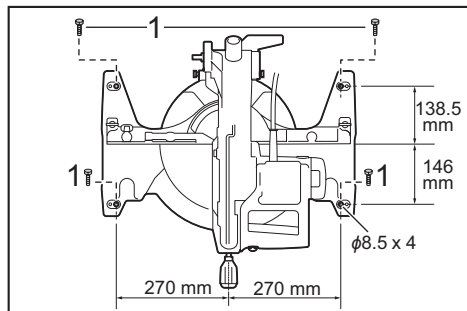
## Montaje en un banco de trabajo

Cuando se transporta la herramienta, se debe trabar la empuñadura en la posición inferior mediante la clavija de retención. Para soltar esta clavija, baje la empuñadura levemente y jale de aquélla.



► 1. Clavija de retención

Esta herramienta debe sujetarse con cuatro pernos a una superficie nivelada y estable, utilizando los orificios de los pernos que se encuentran en la base de la herramienta. Esto ayudará a evitar vuelcos y posibles heridas personales.



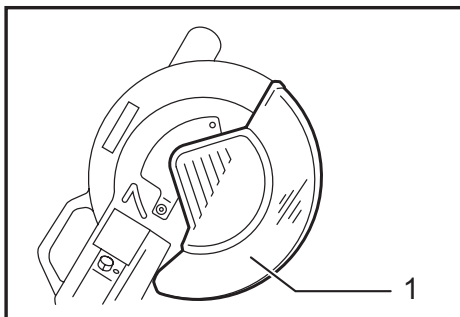
► 1. Perno

# DESCRIPCIÓN DEL FUNCIONAMIENTO

## ⚠PRECAUCIÓN:

- Asegúrese siempre de que la herramienta esté apagada y desconectada antes de ajustar o comprobar cualquier función en la misma.

## Protección del disco



► 1. Protector de disco

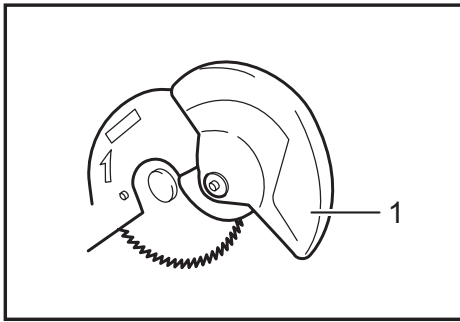
Al bajar la empuñadura, la protección del disco sube automáticamente. Dado que esta protección se acciona por resorte, vuelve a su posición original una vez que se termina de cortar y se sube la empuñadura. **NUNCA FUERCE NI QUITE LA PROTECCIÓN DEL DISCO O EL RESORTE ACOPLADO A LA PROTECCIÓN.**

Por su propia seguridad, siempre mantenga la protección del disco en buenas condiciones. Toda irregularidad en el funcionamiento de la protección debe ser reparada de inmediato. Compruebe que el mecanismo del resorte de la protección funcione correctamente. **NUNCA UTILICE LA HERRAMIENTA SI LA PROTECCIÓN DEL DISCO O EL RESORTE ESTUVIERAN DAÑADOS, DEFECTUOSOS O HUBIERAN SIDO QUITADOS. ESTO ES ALTAMENTE PELIGROSO Y PUEDE OCASIONAR GRAVES HERIDAS PERSONALES.**

Si la guarda de disco transparente se ensucia, o si se adhiere a ella serrín de tal forma que no pueda verse fácilmente el disco y/o la pieza de trabajo, desconecte la sierra y limpie la guarda cuidadosamente con un paño húmedo. No utilice disolventes ni ningún limpiador derivado del petróleo en la guarda de plástico.

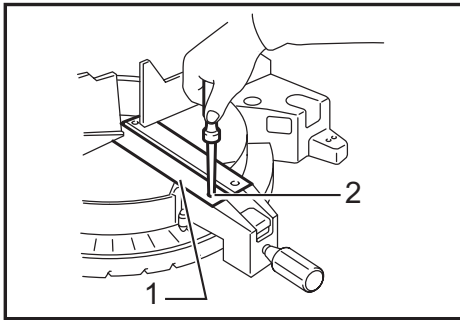
Si el protector del disco está especialmente sucio y no se logra ver a través de este, utilice la llave hexagonal suministrada para aflojar el perno de cabeza hexagonal que sujeta la cubierta central. Afloje el perno de cabeza hexagonal girándolo en sentido inverso al de las manecillas del reloj y levante el protector del disco y la cubierta central. Con el protector del disco en esta posición, la limpieza podrá realizarse de manera más completa y eficiente. Una vez terminada la limpieza, realice el procedimiento anterior en orden inverso y asegure el perno. No quite el resorte que sujeta el protector del disco. Si el protector llega a decolorarse con el tiempo o por la exposición a luz ultravioleta, póngase en contacto con un centro de servicio Makita para solicitar un protector nuevo. **NO INHABILITE NI RETIRE EL PROTECTOR.**



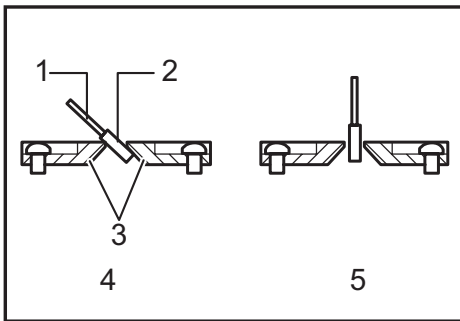


► 1. Protector de disco

## Posicionamiento del panel de corte



► 1. Panel de corte 2. Tornillo



► 1. Disco de sierra 2. Dientes del disco 3. Panel de corte 4. Corte en bisel izquierdo 5. Corte recto

La base giratoria de esta herramienta viene provista con paneles de corte a fin de minimizar el desgaste en el lado de salida del corte. Estos paneles vienen ajustados de fábrica de manera que no hagan contacto con la hoja de la sierra. Antes de utilizar la herramienta, ajuste los paneles de corte de la siguiente manera: Primero, desconecte la herramienta. Afloje los tornillos (2 a la izquierda y 2 a la derecha) para ajustar los paneles de corte. Vuelva a ajustarlos sólo en la medida en que los paneles de corte puedan moverse fácilmente con la mano. Baje completamente la empuñadura y empuje hacia adentro la clavija de retención para trabar la empuñadura en la posición inferior. Ajuste los paneles de corte de modo que éstos hagan contacto justo con los laterales de los dientes de la hoja. Ajuste todos los tornillos (no los ajuste firmemente).

Luego de ajustar los paneles de corte, suelte la clavija de retención y levante la empuñadura. Después ajuste bien todos los tornillos.

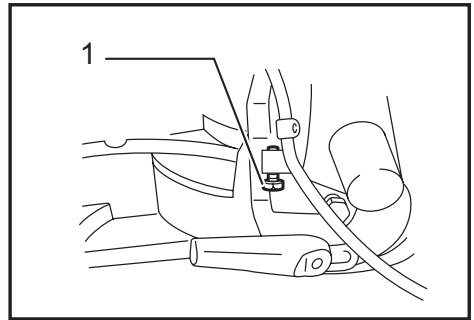
### **PRECAUCIÓN:**

- Antes y después de cambiar el ángulo bisel, siempre ajuste los paneles de corte tal como se describió anteriormente.

## Manteniendo la máxima capacidad de corte

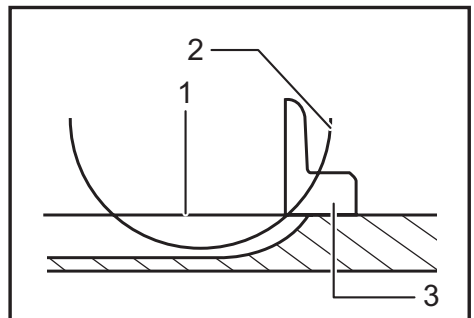
Esta herramienta se ajusta en fábrica para lograr su capacidad de corte máxima con un disco de sierra de 305 mm (12").

Al instalar un disco nuevo, siempre compruebe que dicha hoja se encuentra en el límite inferior y, si es necesario, ajústela de la siguiente manera: Primero, desconecte la herramienta. Baje el mango por completo. Use la llave hexagonal para girar el perno de ajuste hasta que la periferia del disco quede ligeramente por debajo de la superficie superior de la base giratoria en el punto donde la cara delantera de la guía lateral converge con la superficie superior de la base giratoria.



► 1. Perno de ajuste

Con la herramienta desconectada haga rotar el disco manualmente manteniendo en todo momento la empuñadura baja, a fin de asegurarse que el disco no haga contacto con ninguna parte de la base inferior. Si es necesario, vuelva a ajustar levemente.

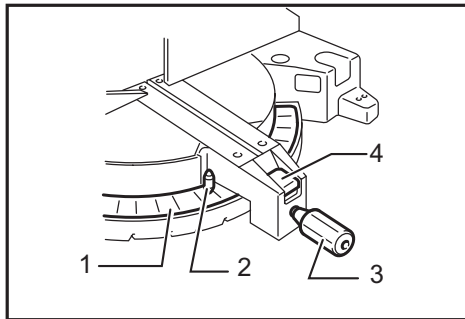


► 1. Parte superior de la base giratoria 2. Periferia del disco 3. Guía lateral

### **⚠️ PRECAUCIÓN:**

- Luego de instalar el disco nuevo, siempre asegúrese de que ésta no haga contacto con ninguna parte de la base inferior mientras la empuñadura está completamente abajo. Siempre haga esta verificación con la herramienta desconectada.

## **Ajuste del ángulo inglete**



- 1. Escala de inglete 2. Apuntador o puntero 3. Empuñadura 4. Palanca de bloqueo

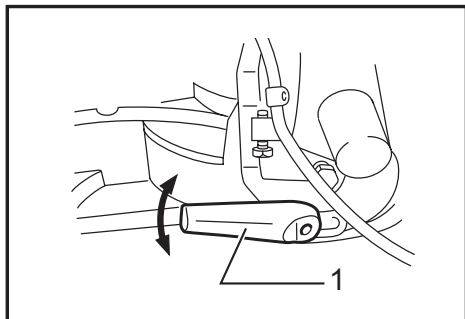
Afije la empuñadura girándola en el sentido contrario a las agujas del reloj. Gire la base mientras baja la palanca de bloqueo. Una vez que haya movido la empuñadura hasta la posición en donde el marcador indica el ángulo deseado en la escala para inglete, ajuste bien dicha empuñadura en el sentido de las agujas del reloj.

### **⚠️ PRECAUCIÓN:**

- Al girar la base, asegúrese de subir completamente la empuñadura.
- Luego de cambiar el ángulo de inglete, siempre asegure la base giratoria ajustando la empuñadura firmemente.

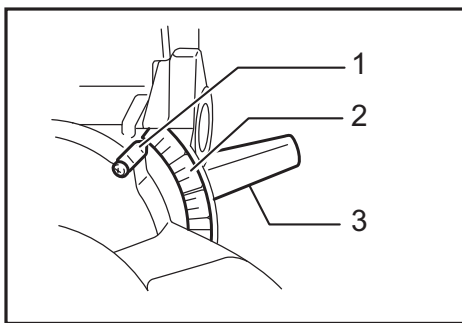
## **Ajuste del ángulo bisel**

Para ajustar el ángulo de bisel, mueva la palanca que se encuentra en la parte trasera de la herramienta en sentido contrario a las agujas del reloj.



- 1. Palanca

Empuje la palanca hacia la izquierda para inclinar la hoja hasta que el marcador indique el ángulo deseado en la escala para bisel. Luego ajuste la palanca con firmeza en el sentido de las agujas del reloj a fin de asegurar el brazo.



- 1. Apuntador o puntero 2. Escala de bisel 3. Palanca

### **⚠️ PRECAUCIÓN:**

- Cuando incline el disco, asegúrese de levantar la empuñadura por completo.
- Luego de cambiar el ángulo bisel, siempre asegure el brazo ajustando la palanca en el sentido de las agujas del reloj.
- Cuando cambie los ángulos bisel, asegúrese de posicionar adecuadamente los paneles de corte, tal como se explica en la sección "Posicionamiento de paneles de corte".

## **Accionamiento del interruptor**

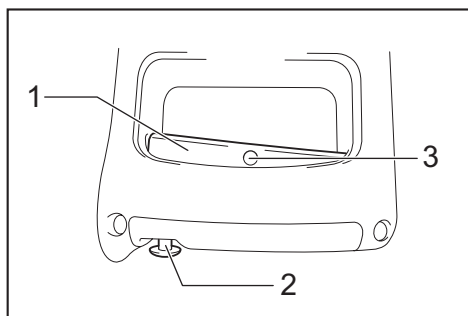
**⚠️ ADVERTENCIA:** Antes de conectar la herramienta, verifique siempre que el gatillo interruptor se accione debidamente y que regrese a la posición de apagado cuando lo suelte. No jale fuertemente el gatillo interruptor sin presionar el botón de desbloqueo. Esto podría dañar el interruptor.

Usar una herramienta con un interruptor que no funciona adecuadamente puede resultar en pérdida del control ocasionando graves lesiones a la persona.

**⚠️ ADVERTENCIA:** NUNCA use la herramienta sin un gatillo interruptor completamente funcional. Cualquier herramienta con un interruptor que no funcione correctamente es SUMAMENTE PELIGROSA y debe ser reparada antes de continuar su uso o podría causar lesiones personales graves.

**⚠️ ADVERTENCIA:** NUNCA inhabilite el botón de desbloqueo manteniéndolo presionado con cinta adhesiva o mediante otro método. El uso de un interruptor con un botón de desbloqueo inhabilitado puede ocasionar una operación accidental y lesiones personales graves.

**⚠️ ADVERTENCIA:** NUNCA use la herramienta si se activa simplemente al jalar el gatillo interruptor sin que haya presionado el botón de desbloqueo. El uso de un interruptor que requiere reparación puede ocasionar una operación accidental y lesiones personales graves. Lleve la herramienta a un centro de servicio Makita para las reparaciones apropiadas ANTES de continuar su uso.



- 1. Gatillo interruptor 2. Botón de desbloqueo  
3. Orificio para el candado

El botón de desbloqueo es suministrado para evitar jalar accidentalmente el gatillo interruptor. Para encender la herramienta, presione el botón de desbloqueo y jale el gatillo interruptor. Para detenerla, suelte el gatillo interruptor.

El gatillo interruptor cuenta con un orificio para insertar un candado para el bloqueo de la herramienta.

**⚠ADVERTENCIA:** No utilice un candado con un fuste o cable de menos de 6,35 mm (1/4") de diámetro. Un fuste o cable menor podría no bloquear la herramienta adecuadamente en la posición de apagado, ocasionando una operación accidental que podría causar lesiones personales graves.

## Freno eléctrico

Esta herramienta está equipada con un freno eléctrico para el disco. Si sistemáticamente ocurre que al soltar el gatillo interruptor el disco no se detiene de inmediato, envíe la herramienta al centro de servicio Makita para su reparación.

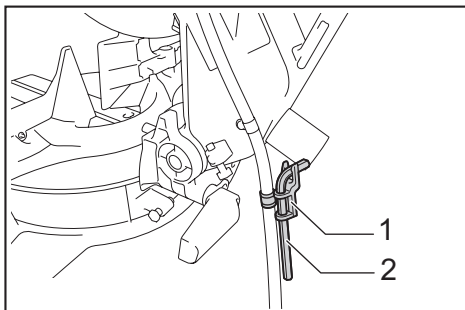
El sistema de freno del disco no es sustituto de la protección correspondiente. **NUNCA UTILICE LA HERRAMIENTA SI NO CUENTA CON UNA PROTECCIÓN EN FUNCIONAMIENTO. LA AUSENCIA DE PROTECCIÓN PODRÍA OCASIONAR HERIDAS GRAVES.**

## ENSAMBLE

### ⚠PRECAUCIÓN:

- Asegúrese siempre de que la herramienta esté apagada y desconectada antes de realizar cualquier trabajo en la misma.

## Almacenamiento de la llave Allen (hexagonal)



- 1. Portallaves 2. Llave hexagonal

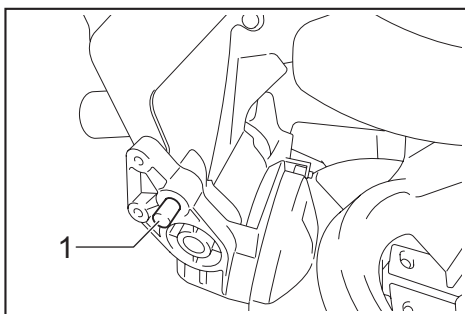
La llave hexagonal se encuentra guardada como se muestra en la figura. Cuando requiera usarla, esta podrá extraerse de su sujetador. Tras haber usado la llave hexagonal, puede guardarla colocándola de nuevo en su sujetador.

## Instalación o extracción de la cuchilla u hoja de sierra.

### ⚠PRECAUCIÓN:

- Asegúrese siempre de que la herramienta esté apagada y desconectada antes de instalar o extraer el disco.
- Use solamente la llave hexagonal Makita proporcionada para instalar o retirar el disco. El no hacerlo puede ocasionar que el perno de cabeza hexagonal se apriete en exceso o no lo suficiente. Lo anterior podría causar una lesión.

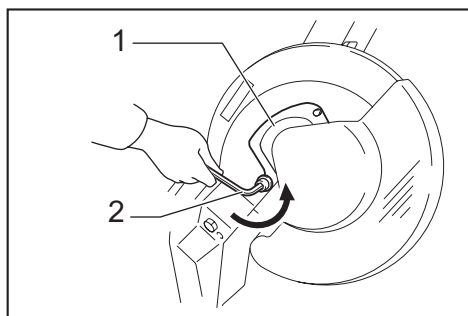
Trabe la empuñadura en la posición superior empujando la clavija de retención.



- 1. Clavija de retención

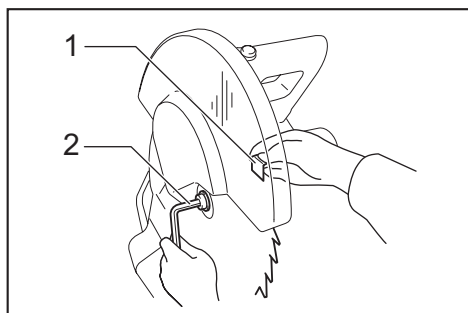
## Extracción del disco

Para extraer el disco, use la llave hexagonal para aflojar el perno de cabeza hexagonal que sujeta la cubierta central girándolo en sentido inverso al de las manecillas del reloj. Levante el protector del disco y la cubierta central.



► 1. Cubierta central 2. Llave hexagonal

Presione el bloqueo del eje para bloquear el eje y use la llave hexagonal para aflojar el perno de cabeza hexagonal en el sentido de las manecillas del reloj. Luego retire el perno de cabeza hexagonal, la brida exterior y el disco.

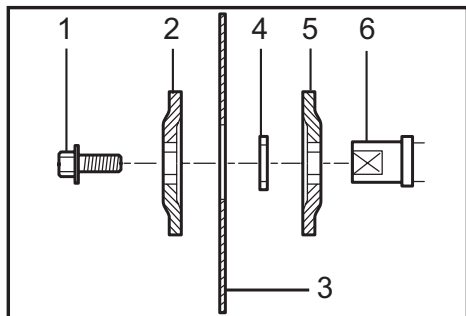


► 1. Bloqueo del eje 2. Llave hexagonal

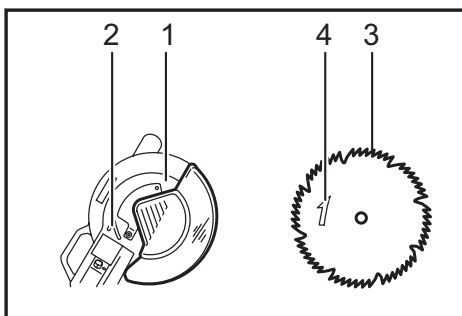
## Instalación del disco

Para instalar el disco, móntelo con cuidado en el eje, asegurándose de que la dirección de la flecha en la superficie del disco coincida con la dirección de la flecha en la caja del disco.

Instale la brida exterior y el perno de cabeza hexagonal, y luego use la llave hexagonal para apretar el perno de cabeza hexagonal (rosca hacia la izquierda) fijamente en sentido inverso al de las manecillas del reloj mientras presiona el bloqueo del eje.



► 1. Perno de cabeza hexagonal 2. Brida exterior 3. Disco de sierra 4. Anillo 5. Brida interior 6. Eje

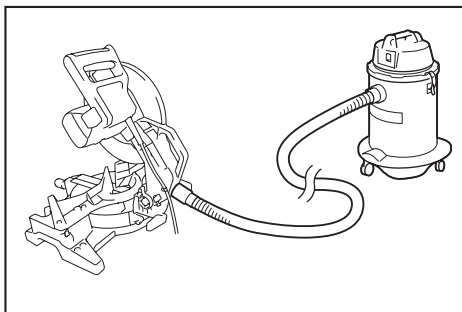


► 1. Caja del disco 2. Flecha 3. Disco de sierra 4. Flecha

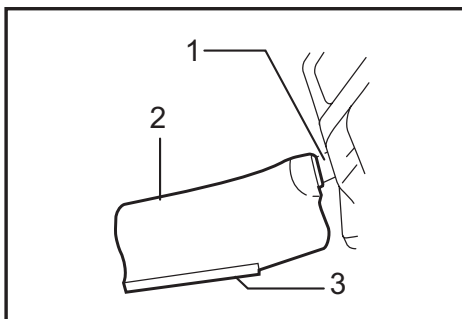
Regrese el protector del disco y la cubierta central a su posición original. Luego apriete el perno de cabeza hexagonal en el sentido de las manecillas del reloj para asegurar la cubierta central. Libere el mango de la posición levantada jalando la clavija de retención. Baje el mango para asegurarse de que el protector del disco se mueva adecuadamente. Asegúrese de que el bloqueo del eje haya liberado el eje antes de hacer el corte.

## Conexión de una aspiradora

Cuando desee realizar una operación de corte limpia, conecte una aspiradora Makita.



## Bolsa recolectora de polvo



► 1. Boquilla para polvo 2. Bolsa para polvo 3. Sujetador

El uso de esta bolsa permite realizar las operaciones de corte en condiciones de limpieza y facilita la recolección de polvo. Para acoplar la bolsa, insértela en la boquilla para recolección de polvo.

Cuando la bolsa esté llena por la mitad, retírela y quite el sujetador. Vacíe el contenido de la bolsa dándole golpes suaves, a fin de eliminar las partículas adheridas que pudieran dificultar una recolección posterior.

**NOTA:**

- Si conecta un aspirador Makita a su sierra, podrá realizar operaciones más eficaces y limpias.

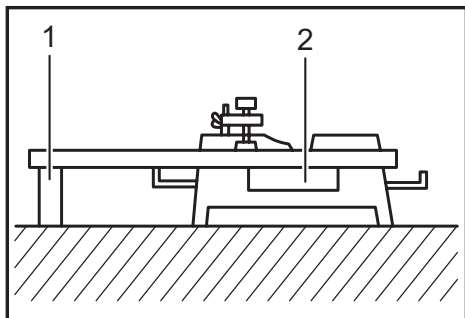
**Aseguramiento de la pieza**

**⚠ADVERTENCIA:**

- Es extremadamente importante que siempre asegure firmemente la pieza con la prensa de manera adecuada. Lo contrario podría causar daños a la herramienta y/o la destrucción de la pieza. **TAMBIÉN PODRÍA CAUSARLE HERIDAS PERSONALES.** Además, después de una operación de corte, **NO levante el brazo de la sierra hasta que el disco se haya detenido completamente.**

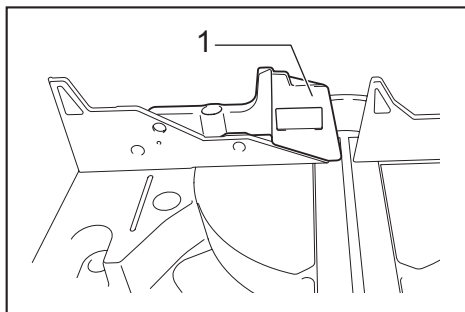
**⚠PRECAUCIÓN:**

- Cuando corte piezas largas, utilice soportes cuya altura sea igual al nivel en donde se encuentra la parte superior de la base giratoria. No confíe únicamente en la prensa vertical y/o horizontal para asegurar la pieza. El material delgado tiende a hundirse. Sostenga la pieza en toda su extensión para evitar la compresión del disco y un posible **RETROCESO BRUSCO.**



► 1. Apoyo 2. Base giratoria

**Guía auxiliar**

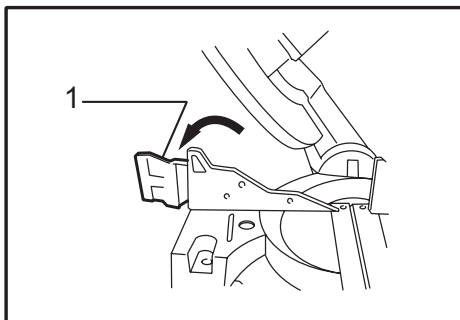


► 1. Guía auxiliar

Esta herramienta está equipada con la guía auxiliar. Deberá ser colocada como se muestra en la figura. Sin embargo, cuando realice cortes en bisel izquierdo, posicione la hacia la izquierda como se muestra en la figura.

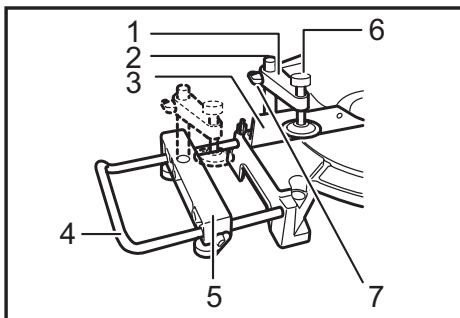
**⚠PRECAUCIÓN:**

- Cuando realice cortes de bisel izquierdo, ponga la guía en la posición izquierda como se muestra en la figura. De lo contrario, tocará el disco o una parte de la herramienta, ocasionando posiblemente heridas graves al operario.



► 1. Guía auxiliar

**Prensa vertical**



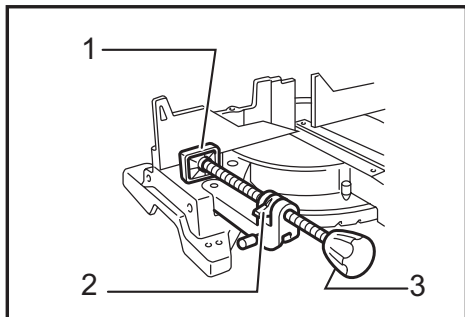
► 1. Brazo de la mordaza 2. Barra de la mordaza 3. Guía lateral 4. Soporte 5. Conjunto de soporte 6. Perilla de la mordaza 7. Tornillo

La prensa vertical puede ser instalada en dos posiciones, ya sea sobre el lado izquierdo o derecha de las guías laterales o del montaje de sostén (accesorio opcional). Inserte la varilla de la prensa en el agujero de las guías laterales o el montaje de sostén y ajuste el tornillo para asegurar dicha varilla. Ubique el brazo de la prensa según el grosor y forma de la pieza de trabajo y fije dicho brazo ajustando el tornillo. Si el tornillo que fija el brazo de la prensa hace contacto con la guía lateral, coloque el tornillo en el lado opuesto del brazo de la prensa. Asegúrese de que ninguna parte de la herramienta entre en contacto con la prensa cuando se baje toda la empuñadura. En caso de que algunas partes entren en contacto con la prensa, vuélvala a ubicar. Presione la pieza contra las guías laterales y la base giratoria. Coloque la pieza en la posición de corte deseada y asegúrela con firmeza ajustando la perilla de la mordaza.

**⚠PRECAUCIÓN:**

- La pieza debe estar firmemente asegurada, con la prensa sujetándola contra la base giratoria y las guías laterales, durante todas las operaciones que se realicen.

**Prensa horizontal (accesorio opcional)**



- 1. Placa de la mordaza 2. Tuerca de la mordaza  
3. Perilla de la mordaza

La mordaza horizontal se puede instalar en dos posiciones tanto en el lado izquierdo como en el derecho de la base. Cuando quiera hacer cortes en inglete de más de 15°, instale la mordaza horizontal en el lado opuesto a la dirección en la que vaya a ser girada la base giratoria.

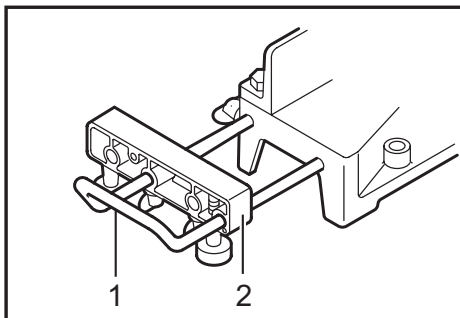
Poniendo la tuerca de la mordaza hacia la izquierda, la mordaza se suelta, y se puede mover rápidamente hacia dentro y afuera. Para sujetar la pieza de trabajo, empuje el pomo de la mordaza hacia delante hasta que la placa de la mordaza haga contacto con la pieza de trabajo y después ponga la tuerca de la mordaza hacia la derecha. Después gire el pomo de la mordaza en el sentido de las agujas del reloj para sujetar la pieza de trabajo.

La anchura máxima de la pieza de trabajo que se puede sujetar con la mordaza horizontal es de 200 mm (7-7/8").

**⚠PRECAUCIÓN:**

- Ponga siempre la tuerca de la mordaza completamente hacia la derecha cuando sujete la pieza de trabajo. En caso contrario podrá resultar en una insuficiente sujeción de la pieza de trabajo. Esto podrá hacer que la pieza de trabajo salga lanzada, ocasionar daños al disco u ocasionar la pérdida del control, que podrá resultar en HERIDAS PERSONALES.

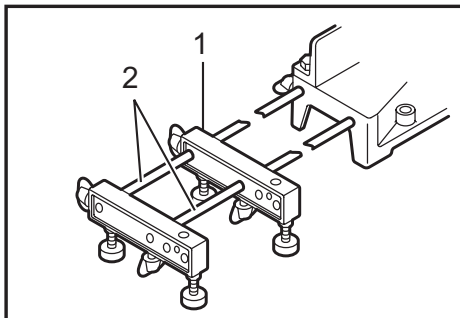
**Soportes y montaje de sostén (accesorios opcionales)**



- 1. Soporte 2. Conjunto de soporte

Los soportes y el montaje de sostén pueden ser instalados a ambos lados como un medio apropiado para sostener las piezas en forma horizontal. Instale estos elementos tal como se muestra en la figura. Luego ajuste los tornillos con firmeza para asegurar los soportes y el montaje de sostén.

Cuando corte piezas largas, utilice el montaje de varilla de sostén (accesorio opcional). Consiste de dos montajes de sostén y dos varillas 12.



- 1. Conjunto de soporte 2. Barra de 12

**⚠PRECAUCIÓN:**

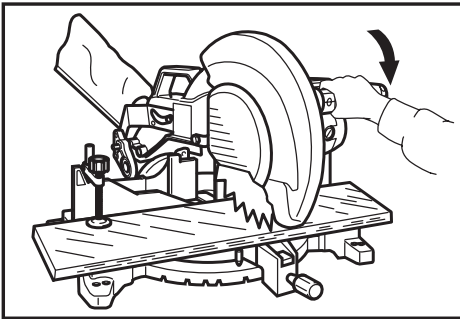
- Siempre mantenga las piezas largas al mismo nivel de la parte superior de la base giratoria a fin de realizar cortes precisos y de evitar perder el control de la herramienta, ya que podría resultar peligroso.

# OPERACIÓN

## ⚠️ PRECAUCIÓN:

- Antes de utilizar la herramienta, asegúrese de sacar la empuñadura de la posición inferior jalando la clavija de retención.
- Asegúrese de que el disco no haga contacto con la pieza, etc. antes de encender la herramienta.
- No haga excesiva presión sobre la empuñadura mientras corta. Al hacerlo podría sobrecargar el motor y/o disminuir la eficacia del corte. La fuerza ejercida sobre la empuñadura debe ser sólo la necesaria para realizar un corte parejo sin disminuir de manera significativa la velocidad del disco.
- Presione suavemente la empuñadura para realizar el corte. Si lo hace con fuerza, o si aplica presión en los laterales, el disco vibrará y dejará una marca (marca de sierra) en la pieza, y la precisión del corte se verá perjudicada.

## Corte de prensa

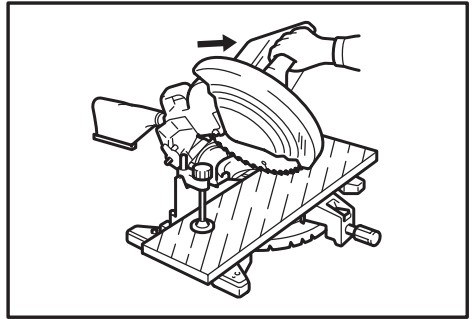


Asegure la pieza de trabajo con la prensa. Encienda la herramienta sin que el disco haga contacto alguno y espere hasta que el disco alcance velocidad plena antes de bajarla. Luego baje suavemente la empuñadura a una posición totalmente inferior para cortar la pieza de trabajo. Cuando el corte haya finalizado, apague la herramienta y **ESPERE HASTA QUE EL DISCO SE HAYA DETENIDO POR COMPLETO** antes de regresar la hoja a la posición completamente elevada.

## Corte en inglete

Consulte la sección "Ajuste de ángulo inglete" descrita anteriormente

## Corte en bisel



Afloje la palanca e incline la hoja de la sierra para fijar el ángulo bisel (Consulte la sección anterior "Cómo ajustar el ángulo bisel"). Asegúrese de volver a ajustar firmemente la palanca para fijar el ángulo bisel seleccionado de manera segura. Asegure la pieza de trabajo con una prensa. Encienda la herramienta sin que la hoja haga contacto alguno y espere hasta que la hoja alcance velocidad plena. Luego baje suavemente la empuñadura a una posición totalmente inferior al tiempo que aplica presión en paralelo con la hoja. Cuando el corte haya finalizado, apague la herramienta y **ESPERE HASTA QUE LA HOJA SE HAYA DETENIDO POR COMPLETO** antes de regresar la hoja a la posición completamente elevada.

## ⚠️ PRECAUCIÓN:

- Siempre asegúrese de que el disco se desplace en dirección de bisel durante el corte. Mantenga las manos alejadas del radio de acción del disco.
- Durante un corte bisel, puede ocurrir que la pieza cortada quede apoyada sobre el lateral del disco. Si el disco se levanta mientras aún está rotando, la pieza podría quedar atrapada por aquel y expulsar fragmentos que al esparcirse podrían resultar peligrosos. El disco debe ser levantado ÚNICAMENTE después de que se haya detenido por completo.
- Cuando presione la empuñadura, hágalo paralelamente al disco. De lo contrario, el ángulo del disco podría desviarse y la precisión del corte se verá perjudicada.
- Ponga siempre la guía auxiliar en la posición izquierda cuando realice cortes en bisel izquierdo.

## Corte combinado

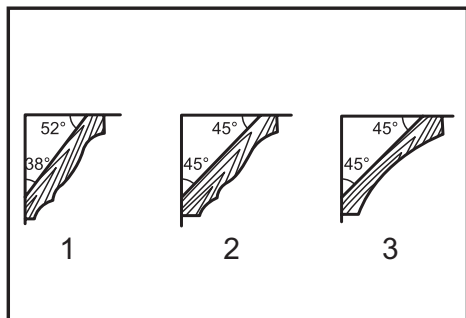
El corte combinado es el proceso mediante el cual un ángulo bisel se realiza al mismo tiempo que un ángulo inglete durante el corte de una pieza. Este tipo de corte puede ser realizado en el ángulo que se muestra en la tabla.

Ángulo de bisel	Ángulo de inglete
45°	Izquierda y Derecha 0°- 45°

Cuando realice cortes combinados, consulte las explicaciones que aparecen en las secciones "Corte de prensa", "Corte en inglete" y "Corte en bisel".

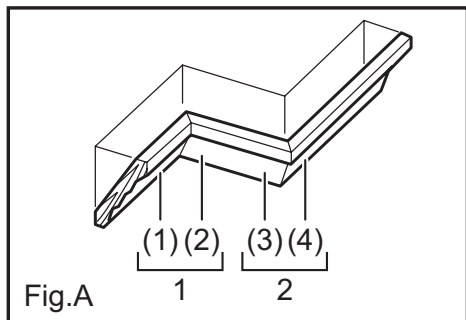
## Corte de molduras crown o corona (de canto liso) y cove cóncavo (de canto ondulado)

Las molduras corona y cóncavas pueden ser cortadas con una sierra ingleteadora combinada, colocando las molduras sobre la base giratoria. Existen dos tipos comunes de molduras corona y un tipo de moldura cóncava; moldura corona de ángulo de pared de 52/38°, moldura corona de ángulo de pared de 45° y moldura cóncava de ángulo de pared de 45°. Ver las ilustraciones.

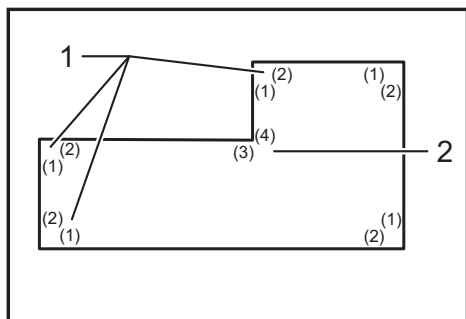


► 1. Moldura corona tipo 52/38° 2. Moldura corona tipo 45° 3. Moldura cóncava tipo 45°

Existen juntas de molduras corona y molduras cóncavas que se realizan para ser insertadas en rincones "Internos" de 90° ((1) y (2) en Fig. A) y rincones "Externos" de 90° ((3) y (4) en Fig. A).



1. Esquina interior 2. Esquina exterior



► 1. Esquina interior 2. Esquina exterior

## Medición

Medir el largo de la pared y ajustar la pieza sobre la mesa para cortar el borde de contacto de la pared del largo deseado. Siempre asegúrese de que el largo de la pieza cortada **en la parte posterior de la pieza** sea igual al largo de la pared. Ajuste el largo del corte según el ángulo de corte. Siempre haga pruebas de corte con varias piezas a fin de verificar los ángulos de la sierra. Cuando corte molduras corona y cóncava, fije el ángulo bisel y el ángulo inglete tal como se indica en la tabla (A), y posicione las molduras en la parte superior de la base de la sierra tal como se indica en la tabla (B).

Tabla (A)

	Posición de moldura en Fig. A	Ángulo de bisel		Ángulo de inglete	
		tipo 52/38°	tipo 45°	tipo 52/38°	tipo 45°
Para esquina interior	(1)	Izquierda 33,9°	Izquierdo 30°	Derecha 31,6°	Derecho 35,3°
	(2)			Izquierdo 31,6°	Izquierdo 35,3°
Para esquina exterior	(3)			Derecha 31,6°	Derecho 35,3°
	(4)			Izquierdo 31,6°	Izquierdo 35,3°

Tabla (B)

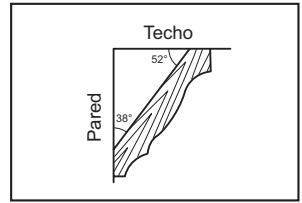
	Posición de moldura en Fig. A	Borde de moldura contra la guía lateral	Pieza terminada
Para esquina interior	(1)	El borde de contacto con el techo debe estar contra la guía lateral.	La pieza terminada estará en el lado izquierdo del disco.
	(2)	El borde de contacto con la pared debe estar contra la guía lateral.	
Para esquina exterior	(3)	El borde de contacto con el techo debe estar contra la guía lateral.	La pieza terminada estará en el lado derecho del disco.
	(4)	El borde de contacto con la pared debe estar contra la guía lateral.	

**EJEMPLO** En caso de cortar una moldura tipo corona de 52/38° para la posición (1) en la Fig. A:

- Incline y asegure la posición del ángulo bisel a 33,9° a la IZQUIERDA.
- Ajuste y asegure la posición del ángulo inglete a 31,6° a la DERECHA.
- Coloque la moldura corona con la superficie ancha de la parte trasera (oculta) sobre la base giratoria con el BORDE DE CONTACTO CON EL TECHO apoyado sobre las guías laterales de la sierra.
- La pieza terminada a ser utilizada siempre debe estar del lado IZQUIERDO del disco luego de terminado el corte.



Sierra de Inglete  
Ajustes de ángulo del inglete y del bisel



000031

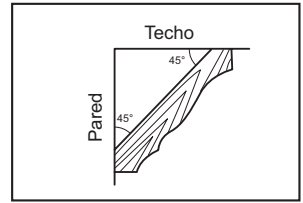
Ángulo de moldura ente la pared y la corona: 52/38 grados

Ángulo de pared (grado)	Ángulo de bisel (grado)	Ángulo de inglete (grado)
60°	43,0°	46,8°
61°	42,8°	46,3°
62°	42,5°	45,7°
63°	42,2°	45,1°
64°	41,9°	44,6°
65°	41,7°	44,0°
66°	41,4°	43,5°
67°	41,1°	42,9°
68°	40,8°	42,4°
69°	40,5°	41,9°
70°	40,2°	41,3°
71°	39,9°	40,8°
72°	39,6°	40,3°
73°	39,3°	39,8°
74°	39,0°	39,2°
75°	38,7°	38,7°
76°	38,4°	38,2°
77°	38,1°	37,7°
78°	37,8°	37,2°
79°	37,4°	36,8°
80°	37,1°	36,3°
81°	36,8°	35,8°
82°	36,5°	35,3°
83°	36,2°	34,8°
84°	35,8°	34,4°
85°	35,5°	33,9°
86°	35,2°	33,4°
87°	34,9°	33,0°
88°	34,5°	32,5°
89°	34,2°	32,1°
90°	33,9°	31,6°
91°	33,5°	31,2°
92°	33,2°	30,7°
93°	32,8°	30,3°
94°	32,5°	29,9°
95°	32,2°	29,4°
96°	31,8°	29,0°
97°	31,5°	28,6°
98°	31,1°	28,2°
99°	30,8°	27,7°
100°	30,4°	27,3°

Ángulo de pared (grado)	Ángulo de bisel (grado)	Ángulo de inglete (grado)
101°	30,1°	26,9°
102°	29,7°	26,5°
103°	29,4°	26,1°
104°	29,0°	25,7°
105°	28,7°	25,3°
106°	28,3°	24,9°
107°	28,0°	24,5°
108°	27,6°	24,1°
109°	27,2°	23,7°
110°	26,9°	23,3°
111°	26,5°	22,9°
112°	26,1°	22,6°
113°	25,8°	22,2°
114°	25,4°	21,8°
115°	25,0°	21,4°
116°	24,7°	21,0°
117°	24,3°	20,7°
118°	23,9°	20,3°
119°	23,6°	19,9°
120°	23,2°	19,6°
121°	22,8°	19,2°
122°	22,5°	18,8°
123°	22,1°	18,5°
124°	21,7°	18,1°
125°	21,3°	17,8°
126°	21,0°	17,4°
127°	20,6°	17,1°
128°	20,2°	16,7°
129°	19,8°	16,4°
130°	19,5°	16,0°
131°	19,1°	15,7°
132°	18,7°	15,3°
133°	18,3°	15,0°
134°	17,9°	14,6°
135°	17,6°	14,3°
136°	17,2°	14,0°
137°	16,8°	13,6°
138°	16,4°	13,3°
139°	16,0°	13,0°
140°	15,6°	12,8°

Ángulo de pared (grado)	Ángulo de bisel (grado)	Ángulo de inglete (grado)
141°	15,3°	12,3°
142°	14,9°	12,0°
143°	14,5°	11,6°
144°	14,1°	11,3°
145°	13,7°	11,0°
146°	13,3°	10,7°
147°	12,9°	10,3°
148°	12,5°	10,0°
149°	12,2°	9,7°
150°	11,8°	9,4°
151°	11,4°	9,0°
152°	11,0°	8,7°
153°	10,8°	8,4°
154°	10,2°	8,1°
155°	9,8°	7,8°
156°	9,4°	7,5°
157°	9,0°	7,1°
158°	8,6°	6,8°
159°	8,3°	6,5°
160°	7,9°	6,2°
161°	7,5°	5,9°
162°	7,1°	5,6°
163°	6,7°	5,3°
164°	6,3°	4,9°
165°	5,9°	4,6°
166°	5,5°	4,3°
167°	5,1°	4,0°
168°	4,7°	3,7°
169°	4,3°	3,4°
170°	3,9°	3,1°
171°	3,5°	2,8°
172°	3,2°	2,5°
173°	2,8°	2,2°
174°	2,4°	1,8°
175°	2,0°	1,5°
176°	1,6°	1,2°
177°	1,2°	0,9°
178°	0,8°	0,6°
179°	0,4°	0,3°
180°	0,0°	0,0°

Sierra de Inglete  
Ajustes de ángulo del inglete y del bisel



000032

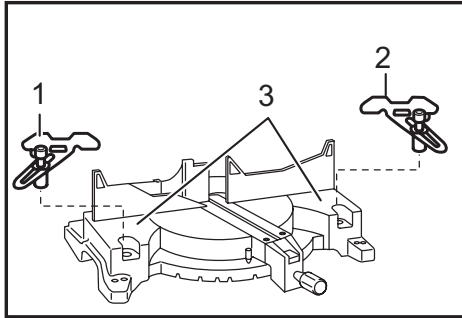
Ángulo de moldura ente la pared y la corona: 45 grados

Ángulo de pared (grado)	Ángulo de bisel (grado)	Ángulo de inglete (grado)
60°	37.8°	50.8°
61°	37.5°	50.2°
62°	37.3°	49.6°
63°	37.1°	49.1°
64°	36.8°	48.5°
65°	36.6°	48.0°
66°	36.4°	47.4°
67°	36.1°	46.9°
68°	35.9°	46.4°
69°	35.6°	45.8°
70°	35.4°	45.3°
71°	35.1°	44.8°
72°	34.9°	44.2°
73°	34.6°	43.7°
74°	34.4°	43.2°
75°	34.1°	42.7°
76°	33.9°	42.1°
77°	33.6°	41.6°
78°	33.3°	41.1°
79°	33.1°	40.6°
80°	32.8°	40.1°
81°	32.5°	39.6°
82°	32.3°	39.1°
83°	32.0°	38.6°
84°	31.7°	38.1°
85°	31.4°	37.7°
86°	31.1°	37.2°
87°	30.9°	36.7°
88°	30.6°	36.2°
89°	30.3°	35.7°
90°	30.0°	35.3°
91°	29.7°	34.8°
92°	29.4°	34.3°
93°	29.1°	33.9°
94°	28.8°	33.4°
95°	28.5°	32.9°
96°	28.2°	32.5°
97°	27.9°	32.0°
98°	27.6°	31.6°
99°	27.3°	31.1°
100°	27.0°	30.7°

Ángulo de pared (grado)	Ángulo de bisel (grado)	Ángulo de inglete (grado)
101°	26.7°	30.2°
102°	26.4°	29.8°
103°	26.1°	29.4°
104°	25.8°	28.9°
105°	25.5°	28.5°
106°	25.2°	28.1°
107°	24.9°	27.6°
108°	24.6°	27.2°
109°	24.2°	26.8°
110°	23.9°	26.3°
111°	23.6°	25.9°
112°	23.3°	25.5°
113°	23.0°	25.1°
114°	22.7°	24.7°
115°	22.3°	24.3°
116°	22.0°	23.8°
117°	21.7°	23.4°
118°	21.4°	23.0°
119°	21.0°	22.6°
120°	20.7°	22.2°
121°	20.4°	21.8°
122°	20.0°	21.4°
123°	19.7°	21.0°
124°	19.4°	20.6°
125°	19.1°	20.2°
126°	18.7°	19.8°
127°	18.4°	19.4°
128°	18.1°	19.0°
129°	17.7°	18.6°
130°	17.4°	18.2°
131°	17.1°	17.9°
132°	16.7°	17.5°
133°	16.4°	17.1°
134°	16.0°	16.7°
135°	15.7°	16.3°
136°	15.4°	15.9°
137°	15.0°	15.6°
138°	14.7°	15.2°
139°	14.3°	14.8°
140°	14.0°	14.4°

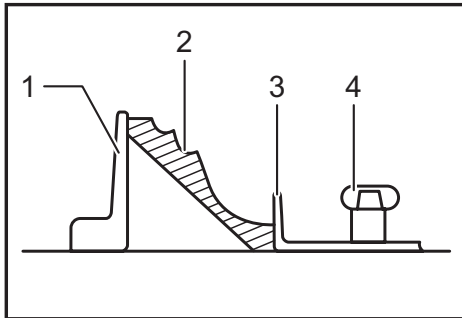
Ángulo de pared (grado)	Ángulo de bisel (grado)	Ángulo de inglete (grado)
141°	13.7°	14.1°
142°	13.3°	13.7°
143°	13.0°	13.3°
144°	12.6°	12.9°
145°	12.3°	12.6°
146°	11.9°	12.2°
147°	11.6°	11.8°
148°	11.2°	11.5°
149°	10.9°	11.1°
150°	10.5°	10.7°
151°	10.2°	10.4°
152°	9.8°	10.0°
153°	9.5°	9.6°
154°	9.2°	9.3°
155°	8.8°	8.9°
156°	8.5°	8.5°
157°	8.1°	8.2°
158°	7.8°	7.8°
159°	7.4°	7.5°
160°	7.1°	7.1°
161°	6.7°	6.7°
162°	6.4°	6.4°
163°	6.0°	6.0°
164°	5.6°	5.7°
165°	5.3°	5.3°
166°	4.9°	5.0°
167°	4.6°	4.6°
168°	4.2°	4.3°
169°	3.9°	3.9°
170°	3.5°	3.5°
171°	3.2°	3.2°
172°	2.8°	2.8°
173°	2.5°	2.5°
174°	2.1°	2.1°
175°	1.8°	1.8°
176°	1.4°	1.4°
177°	1.1°	1.1°
178°	0.7°	0.7°
179°	0.4°	0.4°
180°	0.0°	0.0°

Los bloqueadores para molduras corona (accesorios opcionales) permiten cortar este tipo de molduras con mayor facilidad sin necesidad de inclinar el disco. Instale estos bloqueadores sobre la base tal como se muestra en las figuras.



► 1. Tope izquierdo de moldura de corona 2. Tope derecho de moldura de corona 3. Base

Ubique la moldura corona con su BORDE DE CONTACTO DE LA PARED contra la guía lateral y su BORDE DE CONTACTO CON EL TECHO contra los bloqueadores para molduras corona, como se muestra en la figura. Ajuste los bloqueadores para molduras corona según el tamaño de dichas molduras. Ajuste los tornillos para fijar los bloqueadores para molduras corona. Consulte la tabla (C) para conocer el ángulo del inglete.

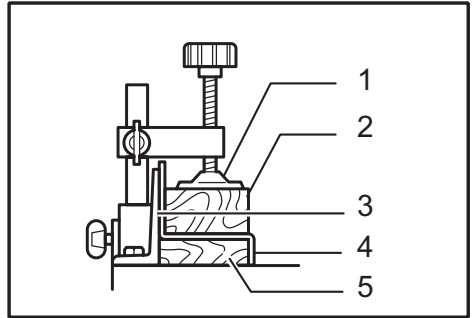


► 1. Guía lateral 2. Moldura de corona 3. Tope de moldura de corona 4. Tornillo

Tabla (C)

	Posición en Fig. A	Ángulo de inglete	Pieza terminada
Para esquina interior	(1)	Derecho 45°	Protege el lado derecho del disco
	(2)	Izquierdo 45°	Protege el lado izquierdo del disco
Para esquina exterior	(3)	Izquierdo 45°	Protege el lado derecho del disco
	(4)	Derecho 45°	Protege el lado izquierdo del disco

## Corte de extrusión de aluminio



► 1. Mordaza 2. Bloque espaciador 3. Guía lateral 4. Extrusión de aluminio 5. Bloque espaciador

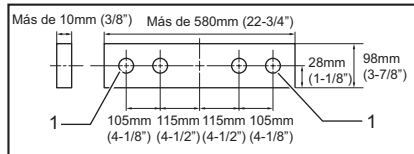
Cuando asegure las extrusiones de aluminio, utilice espaciadores o fragmentos de desechos tal como se muestra en la figura, a fin de evitar que se deforme el aluminio. Utilice un lubricante cuando corte la extrusión para evitar la acumulación de aluminio sobre el disco.

### ⚠PRECAUCIÓN:

- Nunca intente cortar extrusiones de aluminio gruesas o circulares. Las extrusiones gruesas pueden aflojarse durante la operación, y las circulares no pueden ser aseguradas con firmeza con esta herramienta.

## Revestimiento de madera

El uso de revestimientos de madera ayuda a realizar el corte de la pieza libre de astillas. Acople un revestimiento de madera a las guías laterales utilizando los agujeros de dichas guías. Observe la figura donde se muestran las dimensiones para el revestimiento de madera sugerido.

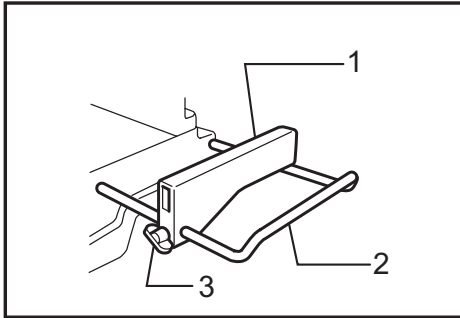


► 1. Orificio

### ⚠PRECAUCIÓN:

- Utilice madera recta de grosor parejo como revestimiento.
- Utilice tornillos para acoplar el revestimiento a las guías laterales. Estos tornillos deben ser colocados de tal manera que las cabezas queden debajo de la superficie del revestimiento.
- Una vez que el revestimiento de madera esté colocado, no gire la base giratoria si la empuñadura estuviera baja. Si lo hace, el disco y/o el revestimiento podrían dañarse.

## Cortes del mismo largo



- 1. Placa de fijación 2. Soporte 3. Tornillo

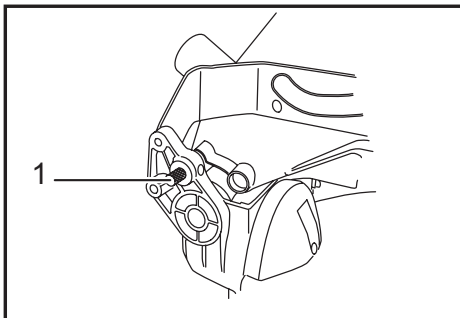
Cuando corte distintas piezas de la misma longitud, que van desde 295 mm (11 - 5/8") a 440 mm (17 - 1/4"), si utiliza el placa de presión (accesorio opcional) se contribuirá a un funcionamiento más eficaz. Coloque el placa de presión en el soporte, como se muestra en la figura.

Alinee la línea de corte de la pieza de trabajo y sea con el lado derecho o izquierdo de la ranura en el panel de corte, y mientras sostiene la pieza para que no se mueva, posicione la placa de presión alineada contra el extremo de la pieza. Luego asegúrela con el tornillo. Cuando la placa de presión no se utilice, afloje el tornillo y déjela a un lado.

### NOTA:

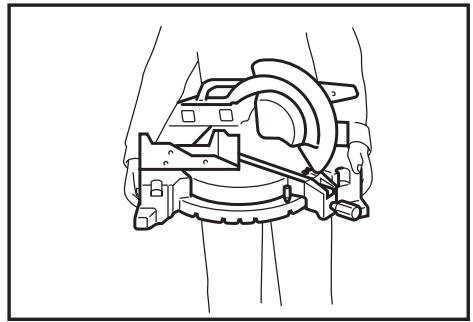
- El uso del montaje de la varilla de soporte (accesorio opcional) permite el corte de largos repetidos, de hasta 2 200 mm (7,2 pies) aproximadamente.

## Transporte de la herramienta



- 1. Clavija de retención

Asegúrese de que la herramienta esté desenchufada. Ajuste la hoja a un ángulo bisel de 0° y la base giratoria completamente a la derecha del ángulo de la ingleta. Baje completamente la empuñadura y trábela en la posición inferior empujando hacia adentro la clavija de retención. Transporte la herramienta sosteniendo ambos lados de la base, tal como se muestra en la figura. Si quita los soportes, la bolsa recolectora, etc., podrá transportarla con más facilidad.



### PRECAUCIÓN:

- Siempre asegure todas las partes móviles antes de transportar la herramienta.
- La clavija de retención se utiliza únicamente para los fines del transporte y almacenamiento, y no para operaciones de corte.

## MANTENIMIENTO

### PRECAUCIÓN:

- Asegúrese siempre que la herramienta esté apagada y desconectada antes de intentar realizar una inspección o mantenimiento.

### ADVERTENCIA:

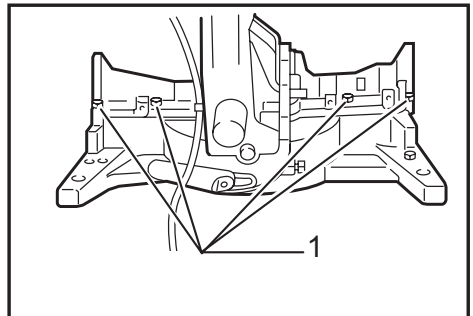
- Siempre asegúrese de que el disco esté afilado y limpio a fin de trabajar de una manera más eficiente y segura.

**AVISO:** Nunca use gasolina, bencina, diluyente (tíner), alcohol o sustancias similares. Puede que esto ocasione grietas o decoloramiento.

## Ajuste del ángulo de corte

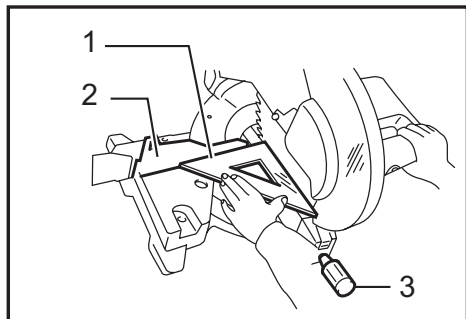
Esta herramienta ya viene cuidadosamente ajustada y alineada de fábrica, pero una manipulación descuidada podría afectar la alineación. Si su herramienta no está adecuadamente alineada, haga lo siguiente:

### Ángulo inglete



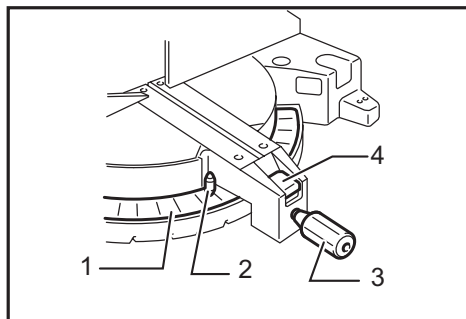
- 1. Perno de cabeza hexagonal

Afloje la empuñadura que asegura la base giratoria. Gire la base giratoria de tal forma que el marcador indique 0° en la escala de inglete. Luego gire la base giratoria levemente en ambos sentidos para asentarla en la muesca de inglete de 0°. (Déjela como esté en caso de que el marcador no indique 0°.) Afloje los pernos de cabeza hexagonal que fijan la guía lateral usando la llave hexagonal. Baje el mango completamente y trábelo en la posición inferior empujando la clavija de retención. Cuadre el lado del disco con la cara de la guía lateral usando una regla triangular, escuadra, etc. Luego apriete bien los pernos de cabeza hexagonal en la guía lateral en orden empezando del lado derecho.



► 1. Escuadra 2. Guía lateral 3. Empuñadura

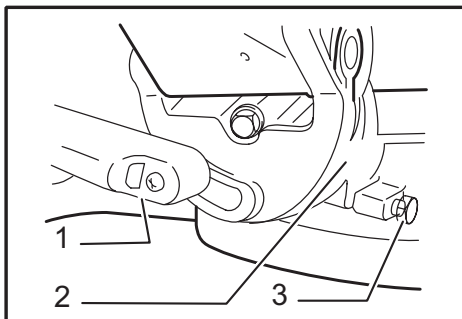
Asegúrese de que el marcador indique 0° en la escala de inglete. De no ser así, afloje el tornillo que asegura el marcador y ajústelo de manera que marque 0°.



► 1. Escala de inglete 2. Apuntador o puntero 3. Empuñadura 4. Palanca de bloqueo

## Ángulo bisel

### Ángulo bisel de 0°



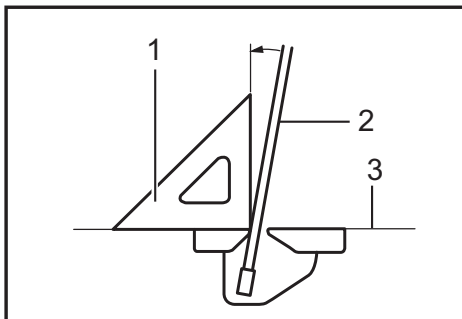
► 1. Palanca 2. Base giratoria 3. Ángulo bisel de 0° mediante el ajuste del perno

Baje completamente la empuñadura y trábelo en la posición inferior empujando hacia adentro la clavija de retención.

Afloje la palanca en la parte posterior de la herramienta.

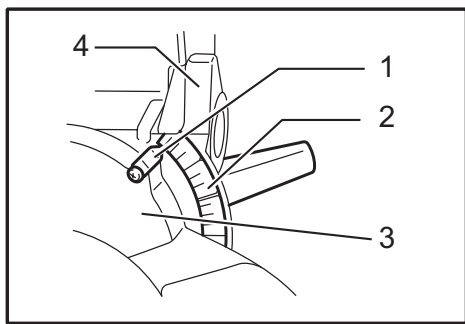
Gire dos o tres revoluciones en el sentido contrario al de las agujas del reloj el ángulo bisel de 0° mediante el ajuste del perno en el lado izquierdo de la base giratoria para inclinar la hoja hacia la derecha.

Cuadre cuidadosamente el lado del disco con la parte superior de la base giratoria utilizando regla triangular, escuadra, etc., y cambiando el ángulo bisel de 0° mediante el ajuste del perno en el sentido de las agujas del reloj. Luego ajuste bien la palanca.



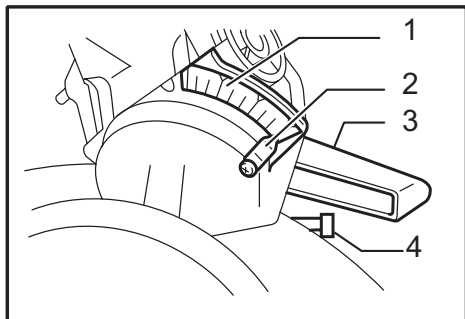
► 1. Escuadra 2. Disco de sierra 3. Parte superior de la mesa giratoria

Asegúrese de que el marcador en la base giratoria indique 0° en la escala para bisel del brazo. Si no indica 0°, afloje el tornillo que fija el marcador y ajústelo para que marque 0°.



► 1. Apuntador o puntero 2. Escala de bisel 3. Base giratoria 4. Brazo

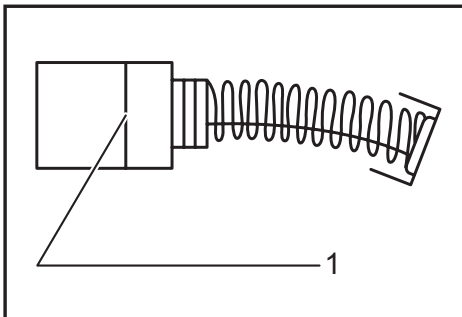
### Ángulo bisel de 45°



► 1. Escala de bisel 2. Apuntador o puntero  
3. Palanca 4. Ángulo bisel de 45° mediante el ajuste del tornillo

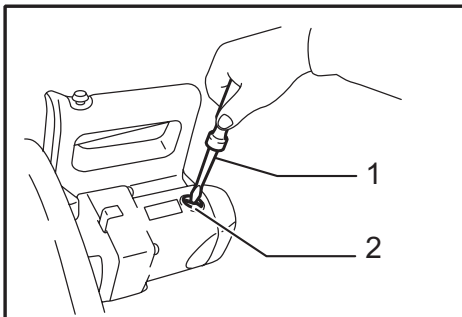
Ajuste el ángulo bisel a 45° sólo luego de ajustar el ángulo bisel a 0°. Para ajustar el ángulo bisel izquierdo a 45°, afloje la palanca e incline la hoja completamente hacia la izquierda. Asegúrese de que el marcador en la base giratoria indique 45° en la escala para bisel del brazo. Si el marcador no indica 45°, gire el ángulo bisel de 45° mediante el ajuste del perno en el lado derecho del brazo hasta que el marcador indique 45°.

### Reemplazamiento de las escobillas de carbón



► 1. Marca límite

Extraiga e inspeccione de forma periódica las escobillas de carbón. Sustitúyalas cuando se hayan gastado hasta la marca límite. Mantenga las escobillas de carbón limpias de forma que entren libremente en los portaescobillas. Ambas escobillas de carbón deberán ser sustituidas al mismo tiempo. Utilice únicamente escobillas de carbón originales e idénticas. Utilice un destornillador para quitar Tapa del carbón. Extraiga las escobillas gastadas, inserte las nuevas y vuelva a colocar las tapas.



► 1. Destornillador 2. Tapa del carbón

Después de substituir las escobillas, conectar la herramienta y ablande estas escobillas haciendo funcionar la herramienta sin carga durante 10 minutos. Luego verifique la herramienta en funcionamiento y la operación del freno eléctrico cuando suelte el gatillo interruptor. Si el freno eléctrico no funciona bien, comuníquese con su Centro de Servicio Makita local para solicitar reparación.

### Luego del uso

- Luego de utilizar la herramienta, limpie los restos de astillas y polvo con un paño o similar. Mantenga el disco limpio de acuerdo con las instrucciones proporcionadas en sección denominada "Protección del disco". Lubrique las partes deslizantes con aceite para máquinas a fin de evitar que se oxiden.

Para mantener la SEGURIDAD y FIABILIDAD del producto, las reparaciones, y cualquier otra tarea de mantenimiento o ajuste deberán ser realizadas en Centros de Servicio Autorizados por Makita, empleando siempre repuestos Makita.

# ACCESORIOS OPCIONALES

**⚠️ ADVERTENCIA:** Estos accesorios o aditamentos Makita están recomendados para utilizarse con su herramienta Makita que se especifica en este manual. El uso de cualquier otro accesorio o aditamento puede ocasionar lesiones personales graves.

**⚠️ ADVERTENCIA:** Use los accesorios o aditamentos Makita solamente para su propósito designado. El uso inapropiado de un accesorio o aditamento puede causar lesiones personales graves.

Si necesita cualquier ayuda para más detalles en relación con estos accesorios, pregunte a su centro de servicio Makita local.

- Discos de sierra de acero y de carburo (Consulte nuestro sitio web o póngase en contacto con su distribuidor Makita para ver cuáles son los discos de la sierra correctos que deben usarse para el material que va a cortar.)
- Montaje de prensa (Prensa horizontal)
- Prensa vertical
- Llave hexagonal
- Conjunto de soportes
- Montaje de sostén
- Montaje de varilla de soporte
- Placa de presión
- Bolsa recolectora de polvo
- Codo
- Conjunto de tope de moldura corona
- Regla triangular

## NOTA:

- Algunos de los artículos en la lista puede que vengan junto con el paquete de la herramienta como accesorios incluidos. Puede que estos accesorios varíen de país a país.

## GARANTÍA LIMITADA DE MAKITA

### Ésta Garantía no aplica para México

Consulte la hoja de la garantía anexa para ver los términos más vigentes de la garantía aplicable a este producto. En caso de no disponer de esta hoja de garantía anexa, consulte los detalles sobre la garantía descritos en el sitio web de su país respectivo indicado a continuación.

Estados Unidos de América: [www.makitatools.com](http://www.makitatools.com)

Canadá: [www.makita.ca](http://www.makita.ca)

Otros países: [www.makita.com](http://www.makita.com)

< USA only >

# WARNING

Some dust created by power sanding, sawing, grinding, drilling, and other construction activities contains chemicals known to the State of California to cause cancer, birth defects or other reproductive harm. Some examples of these chemicals are:

- lead from lead-based paints,
- crystalline silica from bricks and cement and other masonry products, and
- arsenic and chromium from chemically-treated lumber.

Your risk from these exposures varies, depending on how often you do this type of work. To reduce your exposure to these chemicals: work in a well ventilated area, and work with approved safety equipment, such as those dust masks that are specially designed to filter out microscopic particles.

< USA solamente >

# ADVERTENCIA

Algunos tipos de polvo creados por el lijado, serrado, amolado, taladrado, y otras actividades de la construcción contienen sustancias químicas reconocidas por el Estado de California como causantes de cáncer, defectos de nacimiento y otros peligros de reproducción. Algunos ejemplos de estos productos químicos son:

- plomo de pinturas a base de plomo,
- sílice cristalino de ladrillos y cemento y otros productos de albanilería, y
- arsénico y cromo de maderas tratadas químicamente.

El riesgo al que se expone variará, dependiendo de la frecuencia con la que realice este tipo de trabajo. Para reducir la exposición a estos productos químicos: trabaje en un área bien ventilada, y pongase el equipo de seguridad indicado, tal como esas máscaras contra el polvo que están especialmente diseñadas para filtrar partículas microscópicas.

**Makita Corporation**

3-11-8, Sumiyoshi-cho,  
Anjo, Aichi 446-8502 Japan

[www.makita.com](http://www.makita.com)

884409B949  
EN, FRCA, ESMX  
20181016